

Washer extractor

W5250N

Features and benefits

- **Compass Pro® microprocessor offers:**
 - Large display and one control knob for easy program selection
 - Language selection
 - Quick selection and option buttons for the most frequently used wash programs and options
 - Wash program packages optimized on Economy, Performance and Time. (Available on general programs)
- Extremely low water and energy consumption - see table below
- Four compartment detergent box for manual dosing of powder or liquid detergent
- High extraction force for efficient dewatering
- Door with gasket and strong hinges built for heavy duty operation
- Stainless and galvanized steel in all vital parts for high degree of rust protection
- SuperBalance guarantees the correct extraction force

Main options

- Automatic liquid detergent supply (optional I/O board)
- Connection to booking- /payment- system or coin meter

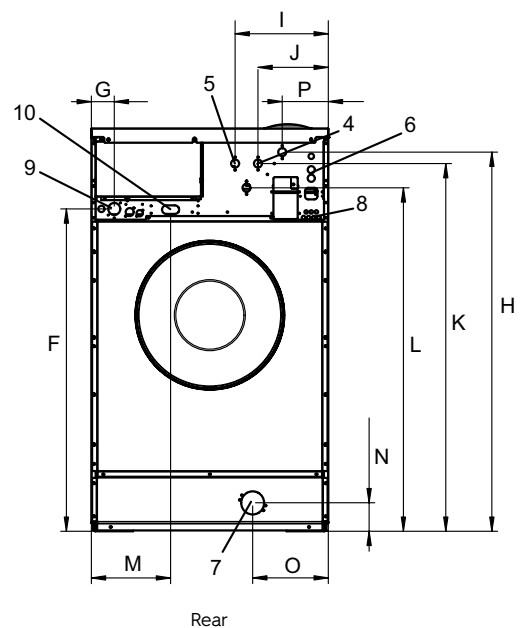
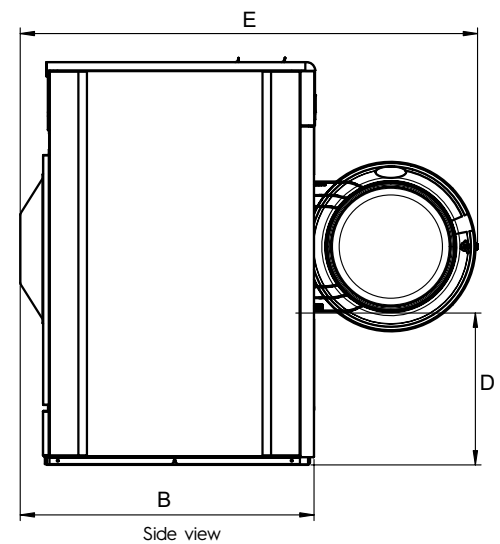
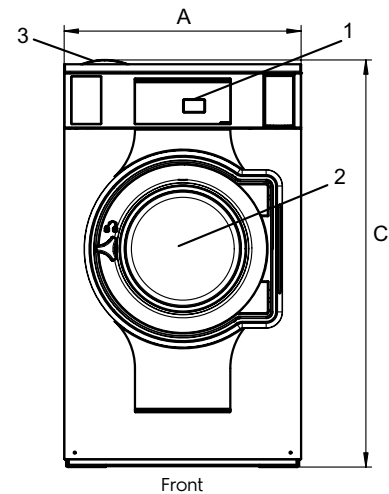


Images shown are a representation of the product only and variations may occur.

Main specifications				W5250N			
Max. capacity	filling factor 1:9	kg/lb		28/62			
Drum,	volume	litre		250			
	diameter	ø mm		725			
Extraction		rpm		497			
G-factor				100			
Standard heating alternatives		electricity	kW	18.0			
		steam		X			
		non-heated		X			
Consumption data "Normal 60°C"				El		Steam**	
Economy*				Full load, 28 kg	Half load, 14 kg	Full load, 28 kg	Half load, 14 kg
Total time		min		49	46	49	46
Water consumption (cold+hot)		litre		159+47	131+31	206+0	162+0
Energy consumption (motor/heating/hot water)		kWh		0.3/1.35/3.0	0.3/0.9/2.0	0.3/-	0.3/-
Steam consumption		kg		-	-	6.5	4.35
Residual moisture		%		69	78	69	78
* Water temperature 15°C cold water and 65°C hot water.							
** Depending on steam pressure.							

Electrical connections*					
Heating alternative	Main voltage		Heating power kW	Total power kW	Recommended fuse A
		Hz			
Electric heated	220-240V 3 ~	50/60	18.0	18.8	50
	380-415V 3N ~	50/60	18.0	18.7	35
	440V 3 ~	60	18.0	18.8	35
	480V 3 ~	60	18.0	18.8	25
Steam or Non heated	220-480V 1 ~	50/60	-	1.1	10

Water and steam connection		W5250N
Water valves	DN	20
Water pressure	kPa	200-600
Capacity at 300 kPa	l/min	60
Drain valve	ø mm	75
Draining capacity	l/min	170
Steam valve	DN	15
Steam pressure	kPa	300-600
Liquid detergent supplies		5
Floor requirements		
Frequency of the dynamic force	Hz	8.3
Floor load at max extraction	kN	3.8 ± 4.9
Sound levels		
Sound power level (IEC 60704-2-4)		
wash	dB(A)	67
extraction	dB(A)	71
Heat emission		
% of installed power, max		5
Shipping data**		
Weight	net, kg	262
Shipping volume	m ³	1.66
Accessories		
Steel base		x
Hose kits for water or steam		x
Fluff collector		x
Dimensions in mm		
A Width		830
B Depth		1029
C Height		1426
D		532
E		1602
F		1129
G		80
H		1328
I		327
J		247
K		1288
L		1203
M		278
N		100
O		265
P		162
1 Operating panel	7 Drain	
2 Door opening ø 435 mm	8 Liquid detergent supply	
3 Detergent box	9 Electrical connection	
4 Cold water	10 Steam connection	
5 Hot water		
6 Re-used water		



Front and side panels in light grey and blue (RAL 260 70 05, 250 60 30)

* Other voltages available, see installation manual

** Average data. Crated weight/shipping volume depends on configuration. Please contact logistics for exact measures.