



## myPRO

### Smart Professional Fixed Steam Ironer

#### Especially designed for small businesses.

The machine with a Professional heart, on a sensible budget, boasting benefits from a professional design. Maximum productivity while ironing in comfort thanks to special programs and ergonomic design.

#### Perfect for small operations such as

- Small hotels and bed & breakfast
- Small restaurants
- Hairdressing and beauty salons
- Sports and fitness clubs
- Out-of-home resident services

#### Benefits and features

##### ► Superb productivity and performance:

- Heated surface 1030 mm in length, open on both sides, for easy ironing of large fabrics
- Long lasting steam production thanks to the high capacity water tank (1.9l nominal, 1.4l actual)

##### ► Outstanding flexibility and garment care:

- Meet every need with 5 temperature settings
- 3 steam settings, with continuous or on demand production
- Full control of roller speed with flexible foot pedal

##### ► Trouble-free operation:

- Fixed frame and always ready for full time operations
- Casters for easy movement
- Plug-and-play installation
- Easy and fast water tank filling
- Iron while sitting or standing

##### ► High quality construction:

- Professional grade stainless steel work top

#### Accessories

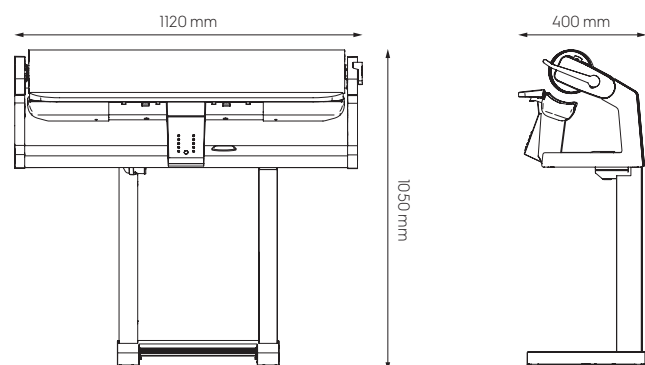
- Water softener cartridge
- Cotton roller cover
- Cotton roller padding

#### Model IS1103

#### Main specifications at a glance

Roller length, mm	1030
Roller diameter, mm	160
Total Power Watts	3300
Frequency, V/ Hz	230/ 50
Fuse, A	16
Plug type	Schuko

#### Dimensions



# myPRO Smart Professional Fixed Steam Ironer

## Specifications IS1103

### Performance

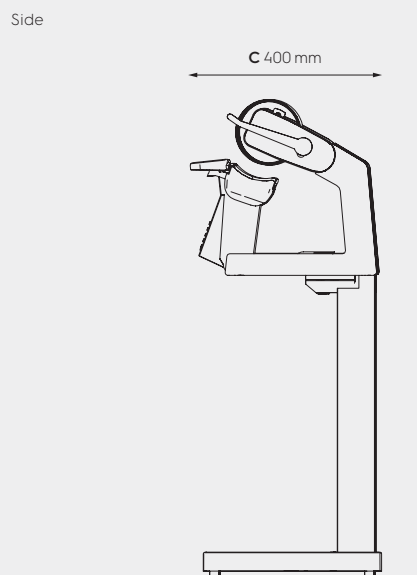
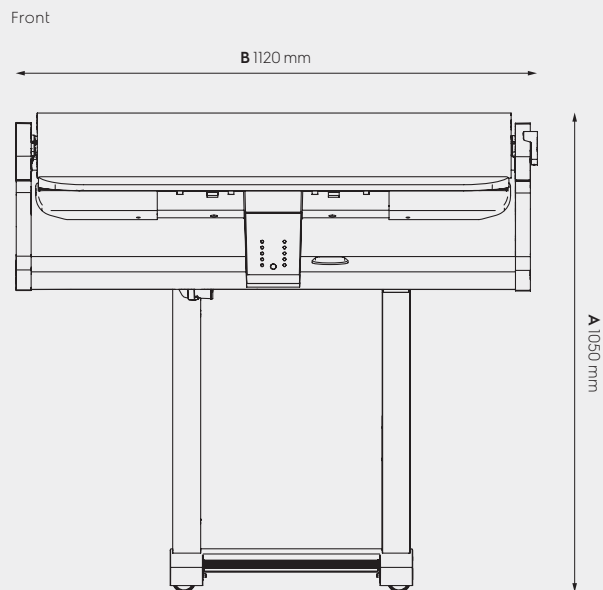
Number of temperatures/fabric settings	5
- Nylon 70 °C - Silk 100 °C - Wool 130 °C - Cotton 160 °C - Linen 190 °C	
Adjustable ironing speed, rpm	2,40 - 6,80
Number of steam settings	3
Steam production, l/h	0.9/1.1/1.4
Water reservoir capacity (nominal / actual), l	1.9/1.4
Additional steam features	Continuous or On-Demand Steam Production

### Special features

Heated surface material	Special hardened aluminum
Open sides	2
Display	Hi-precision colored LED
Water level sensor	Yes
Water softener cartridge option	Yes
Water hardness/cartridge replace sensor	Yes
Number of casters	4
Excess temperature fuse (steam / chest), °C	216 / 260
Safety release lever	Yes
Stand-by mode	Yes

### Dimensions

Height (A), mm	1050
Width (B), mm	1120
Depth (C), mm	400
Packaging height, mm	1280
Packaging width, mm	1200
Packaging depth, mm	550
Weight (with packaging), kg	46 (58)



**Electrolux**