

# Industrial ironers

## IC43316, IC43320



Images shown are a representation of the product only and variations may occur.

### Features and benefits

- Easy to use control panel
- Ergonomic working height
- Finger guard protection providing additional security for operators
- Pressure roll with a Nomex® padding for a good ironing quality
- Durable ironing belts made of Nomex® which can withstand temperatures above 220°C
- Stainless steel cylinder prevents rust and improves lifetime
- **Maintenance free ceramic gas burner** minimizes downtimes. 20% more efficient than regular blue flame burners. A unique and patented burner by Electrolux
- Return feed, can be installed close to a wall for space saving
- Foldable feeding tray so that large flats avoid touching the ground

### Main options

- Electronic control panel with automatic speed regulation system (DIAMMS\*) – compatible with the RABC\*\* process for the traceability of ironing parameters; flashing light showing to the operator that an item is not fully dried.
- CMIS\*\*\* connection for an automatic recording of the ironing parameters
- Nickel-plated cylinder for better production on cotton items
- Manual folding arm for easy folding of large flat items by only one operator
- Clutch to control the feeding belts for payment system control (excludes the payment system)

Main specifications			IC43316	IC43320
Capacity, max. water evaporation****		l/h	19.5	24.5
Cylinder	diameter	mm	325	325
	length	mm	1650	2065
Ironing speed		m/min	0.5-5.5	0.5-5.5
Heating	electricity	kW	18	22.5
	gas	Btu/h (kW)	68240 (20)	85330 (25)

\* Direct Ironer Advanced Moisture Management System

\*\* Risk Analysis and Bio-contamination Control

\*\*\* Certus Management Information System

\*\*\*\* 50% residual moisture content cotton 190 gr/m<sup>2</sup> and 100% cylinder use (ISO 9398)

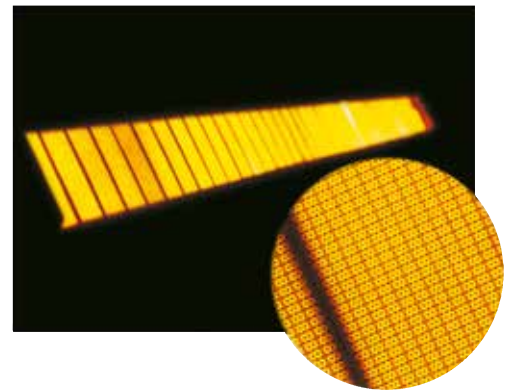
Electrical connections*		IC43316	IC43320
Heating Voltage			
Electric	380-415V 3AC 50/60 Hz kW(A)	18 (32)	22.5 (40)
Gas	220-240V 3AC 50/60 Hz kW(A)	0.5 (12)	0.5 (12)
	380-415V 3AC 50/60 Hz kW(A)	0.5 (12)	0.5 (12)
Gas and exhaust connections			
Gas		DN 20	20
Exhaust	outlet diameter	mm 125	125
	evacuated air	m <sup>3</sup> /h 426	515
Sound levels			
Airborne sound level	dB(A)	65	65
Heat emission			
% of installed power, max		2	2
Weight**			
	net, kg	300	330
Shipping volume	m <sup>3</sup>	2.7	3.2
Dimensions in mm			
A	Width	2030	2445
B	Depth	690	690
C	Height	1145	1145
D	Gas connection height	430	430
1	Control panel	4	Main switch
2	Electrical connection	5	Gas connection
3	Exhaust connection		

\* Other voltages available, see installation manual.

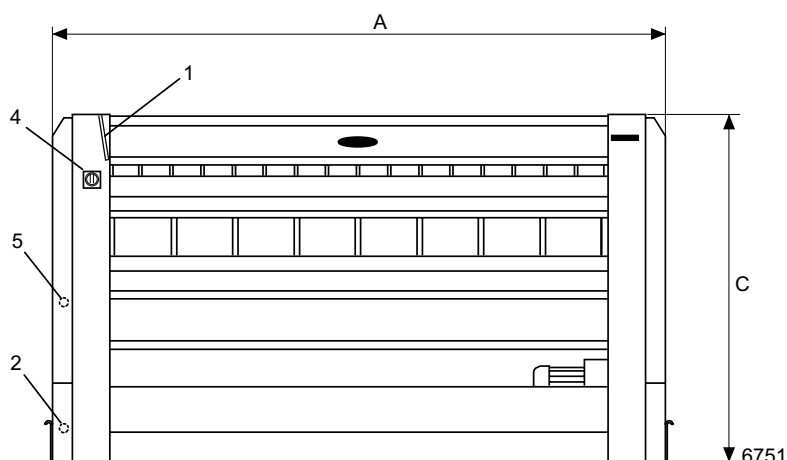
\*\* Average data. Crated weight/shipping volume depends on configuration. Please contact logistics for exact measures.



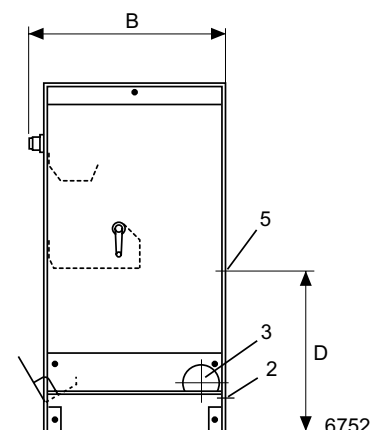
Manual folding arm for easy folding of large flat items by only one operator



**Maintenance free ceramic gas burner** minimizes downtimes. 20% more efficient than regular blue flame burners. A unique and patented burner by Electrolux



Front view



Right side view