

Reference washer extractor

Wascator FOM71 CLS

Features and benefits

- Meets IEC and ISO international standards
- Suitable for testing washing effects of detergents and chemicals and for textile quality control
- Suspended drum construction allows a high extraction force. No foundation required
- Small space between outer/inner drum for efficient use of water and detergent
- Dual water control of volume (weight) and level
- Built in scale for precise volume control, accuracy:
 - volume control +/- 0.2 litre/bath
 - level control +/- 0.8 litre/bath
- Equipped with Clarus Control® - a fully programmable electronic timer
- Frequency controlled motor system for flexibility in programming and precise speed
- Test tap for water samples
- Stainless steel drum assembly, front, side and top panel



Images shown are a representation of the product only and variations may occur.

Main options

- LPM (Laundry Program Manager) PC programming kit in Windows. For more information regarding LPM, please refer to the product data sheet for LPM
- Extra program memory cards

| Main specifications | | | Wascator FOM71 CLS |
|---------------------|-------|--|--------------------|
| Drum, volume | litre | | 61 |
| diameter | Ø mm | | 520 |
| Extraction, max | rpm | | 1100 |
| G-factor, max | | | 350 |
| Heating electricity | kW | | 5.4 |

Produced according to ISO 9001 and ISO 14001.

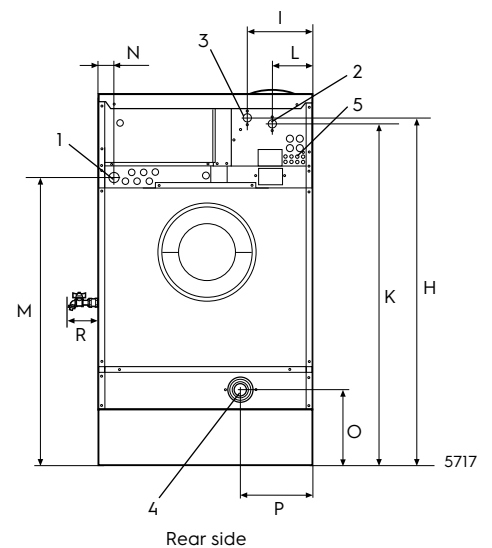
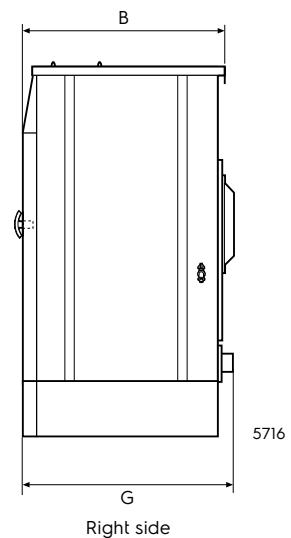
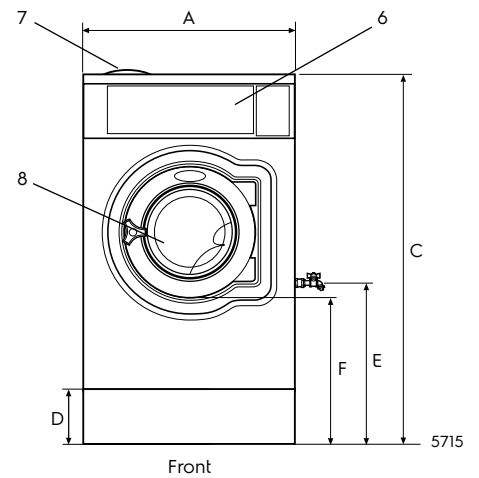
Certified with CB certificate for Low Voltage Directive and S-mark according to the Machinery Directive. Protection class IP X4D.

Function/subsystem

| Ambient conditions | |
|---|--|
| The machine shall be able to function during the same ambient conditions as normal washing machines. The functional values with tolerances will be valid if following ambient conditions are kept | |
| Voltage | Nominal $\pm 2\%$ |
| Frequency | Nominal $\pm 2\%$ |
| Inlet water | (15 \pm 2) °C |
| Cold | Max (60 \pm 2) °C |
| Hot | (240 \pm 50) kPa |
| Water pressure | (20 \pm 5) °C |
| Ambient temperature | |
| Inner drum | |
| Diameter | (520 \pm 1) mm |
| Depth | (315 \pm 1) mm |
| Volume | 61 l |
| Lifting vanes: | |
| Number | 3 |
| Height | 53 mm |
| Radius | 17 mm |
| Base width | 65 mm |
| Perforation: Diameter | 5 mm |
| Depth of countersink | 2.5 mm |
| Total hole area | 600 cm ² |
| Material: Stainless steel | 2333 (SS 18/8) |
| Outer drum | |
| Diameter | 554 mm |
| Sump | ~ (1300 \pm 25) ml |
| Material: Stainless steel | 2333 (SS 18/8) |
| Door opening | |
| Opening diameter | 310 mm |
| Cabinet | |
| Stainless steel | 2333 (SS 18/8) |
| Drum speed | |
| Washing speed: Programmable | (20 - 59 \pm 1) RPM |
| Extraction: Programmable | (200 - 1100 \pm 20) RPM |
| Reversing rythm | |
| Programmable | (0 - 250 \pm 0.1) = sec. (Tolerance area refers to timer intervals) |
| Water level | |
| Weight sensing | |
| Repeatability | \pm 0.1kg/bath |
| Stepsize | 0.05kg |
| Dosing accuracy weight control | \pm 0.2kg/bath |
| Level sensing: | |
| Repeatability | \pm 5 mm |
| Stepsize | 3 mm |
| Dosing accuracy level control | \pm 0.8litre/bath |
| Thermostat | |
| Continuous variable in each wash sequence | Yes |
| Selectable interval | (4-97) °C |
| Programming steps | 1 °C |
| Switch off temperature accuracy in Interval 30-97 °C | \pm 1 °C |
| Interval switch off temperature - switch on temperature | 4 °C |

| Electrical connections | | Wascator FOM71 CLS | |
|--------------------------------|---------------------------|--------------------|-----------------------|
| Heating Voltage | | | |
| EI. | 230V 3AC 50 Hz | kW(A) | 5.7(16) |
| | 400-415V 3N AC 50 Hz | kW(A) | 5.7(10) |
| | 415V 3N AC 50 Hz | kW(A) | 5.7(10) |
| Water and steam connection | | | |
| Water valves | DN | | 20 |
| Water pressure | kPa | | 150-400 |
| Capacity at 300 kPa | l/min | | 20 |
| Drain valve | ø mm | | 50/75 |
| Draining capacity | l/min | | 150 |
| Liquid detergent supplies | | | 4 |
| Floor requirements | | | |
| Frequency of the dynamic force | Hz | | 18.3 |
| Floor load at max extraction | kN | | 1.6 ± 0.5 |
| Sound levels | | | |
| Sound pressure level* | dB(A) | | 71 |
| Shipping data | | | |
| Weight | net, kg | | 195 |
| | crated, kg | | 260 |
| Shipping volume | m ³ | | 0.89 |
| Accessories | | | |
| Hose connection kit for water | | | x |
| Dimensions in mm | | | |
| A | Width | | 720 |
| B | Depth | | 690 |
| C | Height | | 1315 |
| D | | | 200 |
| E | | | 750 |
| F | | | 555 |
| G | | | 720 |
| H | | | 1230 |
| I | | | 220 |
| K | | | 1010 |
| L | | | 135 |
| M | | | 825 |
| N | | | 45 |
| O | | | 300 |
| P | | | 240 |
| R | | | 135 |
| 1 | Electrical connection | 6 | Control panel |
| 2 | Cold water | 7 | Detergent compartment |
| 3 | Hot water | 8 | Door opening ø 310 mm |
| 4 | Drain | | |
| 5 | Liquid supply connections | | |

* A-weighted emission sound pressure level at workingstations.



| | |
|---|-----------------------------------|
| Detergent compartment | |
| Number of compartments | 4 |
| Number of programmable liquid detergents | 4 |
| Wash programs | |
| Fully programmable wash programs | Clarus |
| Memory cards for IEC 60456, ISO 6330, M&S and other can be ordered separately | IEC 60456 |
| Memory cards | Product number/Part number |
| Kit consisting of 5 empty memory cards: | 988 8022-40 |
| ISO6330/1984 (locked card) | 988 9162-20 |
| ISO6330/1984 (open card) | 988 9162-21 |
| ISO6330/2000 (locked card) | 988 9162-22 |
| ISO6330/2000 (open card) | 988 9162-23 |
| ISO6330/2012 (locked card) | 988 9162-55 |
| ISO6330/2012 (open card) | 988 9162-56 |
| IEC 60456 Ed 4 (locked card) | 988 9162-25 |
| IEC 60456 Ed 4 (open card) | 988 9162-26 |
| IEC 60456 Ed 5 / EN60456: 2016 (locked card) | 988 9162-28 |
| IEC 60456 Ed 5 / EN60456: 2016 (open card) | 988 9162-29 |
| EN60456 2005 (locked card) | 988 9162-45 |
| EN60456 2005 (open card) | 988 9162-46 |
| EN50640 (locked card) | 988 9162-63 |
| * Marks & Spencer (locked card) | 988 9162-27 |
| H&M (locked card) | 988 9162-47 |
| Woolmark washprograms (locked card) | 988 9162-48 |
| ISO3175-4:2003 (locked card) | 988 9162-59 |
| ISO 12138:1996 (locked card) | 438 9537-69 |
| ISO 10528: 1995 (locked card) | 438 9537-70 |
| BS5651: 1989 (locked card) | 438 9537-84 |
| HLCC (locked card) | 438 9537-73 |
| AS/NZS 2040.1 (locked card) | 438 9547-06 |
| Approvals | |
| The machine shall have same approvals as normal washing machines | CE, cETLus |
| Special equipment | |
| Manual tap for sampling of bath water on right side: | Yes |
| Connection for temperature recording sensor in rear gable: | Yes |
| Possibility to connect lint trap: | Yes |
| Memory card with copy safe programs for M&S and (IEC; ISO): | Yes |
| Procedure for calibration of the machine according to ISO 9000 rules: | Yes |
| Possibility to take out test pieces from wash bath during the wash: | Yes |
| Analog output from load cells to data acquisition systems: | Yes |

* Approval from Marks & Spencer required.

Pre- programmed wash programs

The Clarus Control in the Wascator FOM71 CLS contains 9 pre- programmed "wash programs". They are not real wash programs but are mainly designated for checking purposes. The stored programs are:

| Place | Name | Content |
|-------|--------------------|---|
| 991 | Start-up Programme | Flushes the machine with water. Shall be used if the machine has been idle for more than 2 hours. |
| 992 | Level check | Checking of the level. With ruler inside the machine fills to 100 mm, 130 mm, 160 mm, and 200 mm. |
| 993 | Weight check | Machine fills water to 18kg and to 26kg. |
| 994 | Temperature check | Check of the temperatures at 25°C, 40°C, 60°C and 90°C 2 minutes at each temperature. |
| 995 | Extraction | 500 RPM 1 min. |
| 996 | Extraction | 500 RPM 5 min. |
| 997 | Extraction | 775 RPM 2 min. |
| 998 | Extraction | 950 RPM 4 min. |
| 999 | Extraction | 1100 RPM 5 min. |