

# Trouser topper – creased trousers

## FTT2



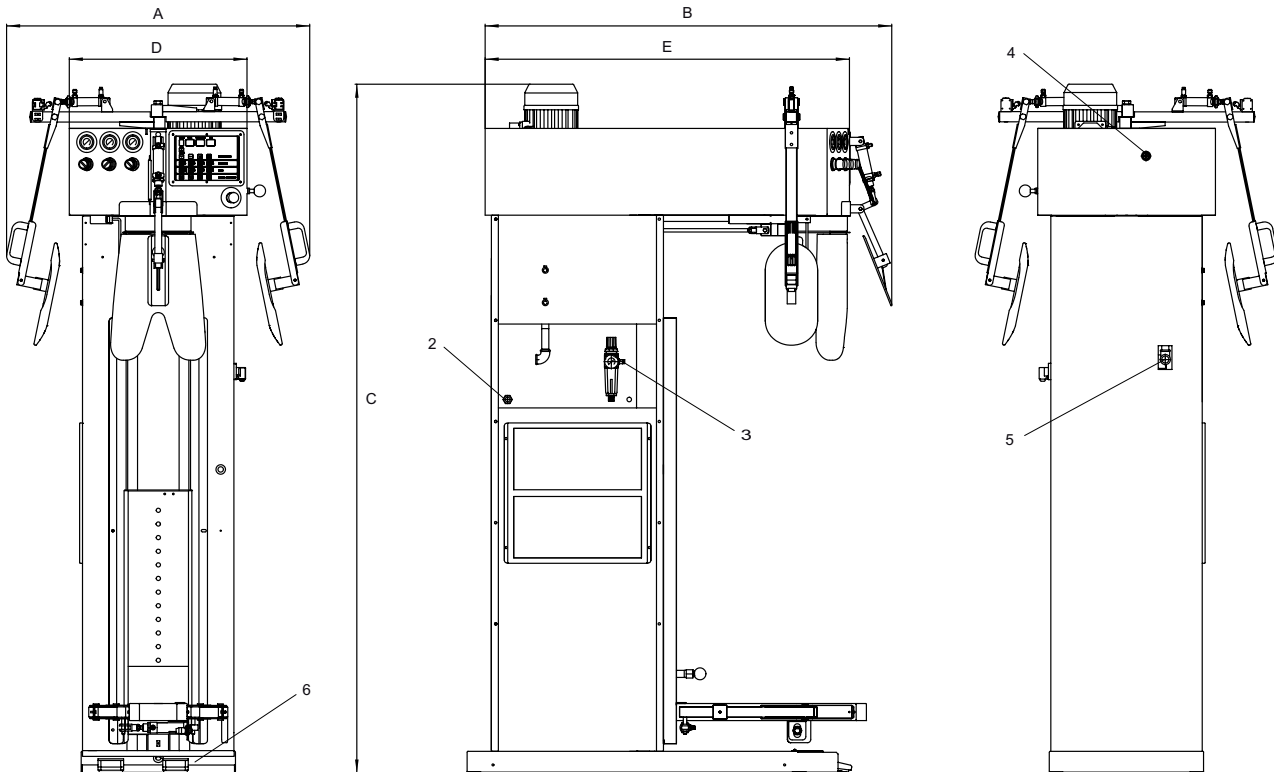
### Features and benefits

- Electronic control panel that can store up to nine different ironing programs
- Front-to-back tensioning of the waistband
- Leg clamps for creased trousers
- Anti-stretching device on waistband
- Carriage height automatically selected by photocell
- Pleat clamps
- Easy operation via multipurpose pedal
- Adjustable blowing strength
- Adjustable tensioning pressure

### Main option

- 2HP motor

Electrical connections		FTT2
Voltage		
400V 3N AC 50Hz	kW(A)	2(10)
208-240V 3AC 60Hz	kW(A)	2(10)
Steam, air and vacuum connection		
Steam	DN	15
Steam consumption	kg/h	15-20
Rec. steam pressure	kPa	500-600
Condensate	DN	15
Compressed air	DN	8
Air consumption	l/min	40
Air pressure	kPa	600-700
Shipping data		
	net, kg	170
	crated, kg	190
Dimensions in mm		
A	Width	915
B	Depth	1135
C	Height	2025
D		530
E		975
F		1900
<ul style="list-style-type: none"> <li>1 Control panel</li> <li>2 Electrical connections</li> <li>3 Compressed air connection</li> <li>4 Steam connection</li> <li>5 Condensate</li> <li>6 Pedal deck</li> </ul>		



Front

Left side

Rear side

W00019

*Thinking of you*  
**Electrolux**

[www.electrolux.com/laundrysystems](http://www.electrolux.com/laundrysystems)

Share more of our thinking at [www.electrolux.com](http://www.electrolux.com)

Art. No. 438913521/01 08.22  
 We reserve the right to alter specifications without notice.