

# Trouser topper – utility

FTT1



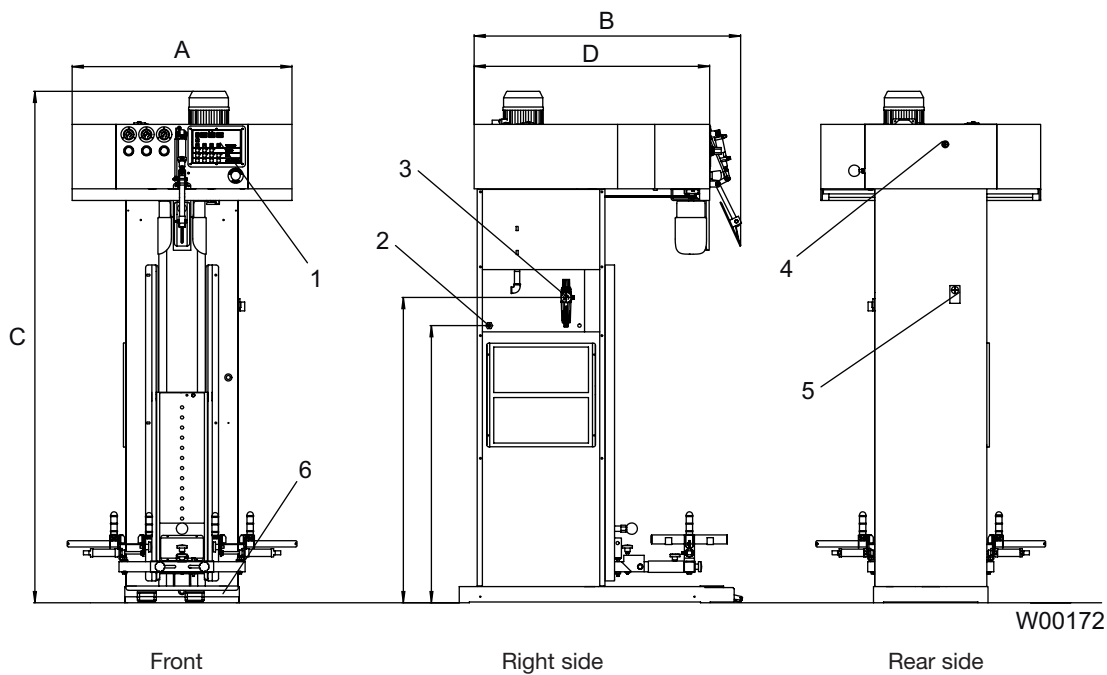
## Features and benefits

- Automatic electronic control with possibility of selecting the different ironing functions
- Side tensioning of the waistband
- Individual adjustment for tensioning of waistband, legs and clamps
- Anti-stretching device on waistband and legs for the ironing of elastic trousers
- Pivoting clamps to allow tensioning from inside for uncreased trousers and from outside for creased trousers
- Carriage-height adjustment
- Adjustment for steam, air and steam heater devices
- Multipurpose pedal for work progress

## Main options

- 2HP motor
- Manual waist size adjustment
- Manual leg size adjustment

Electrical connections		FTT1
Voltage		
400V 3N AC 50Hz	kW(A)	2(10)
208-240V 3AC 60Hz	kW(A)	2(10)
Steam, air and vacuum connection		
Steam	DN	15
Steam consumption	kg/h	15-20
Rec. steam pressure	kPa	500-600
Condensate	DN	15
Compressed air	DN	8
Air consumption	l/min	40
Air pressure	kPa	600-700
Shipping data		
	net, kg	170
	crated, kg	190
Dimensions in mm		
<b>A</b> Width		885
<b>B</b> Depth		905
<b>C</b> Height		2025
<b>D</b>		770
<b>1</b> Control panel <b>2</b> Electrical connections <b>3</b> Compressed air connection <b>4</b> Steam connection <b>5</b> Condensate <b>6</b> Pedal deck		



Thinking of you  
**Electrolux**

[www.electrolux.com/laundrysystems](http://www.electrolux.com/laundrysystems)

Share more of our thinking at [www.electrolux.com](http://www.electrolux.com)