

Spotting Cabinet

FSU4



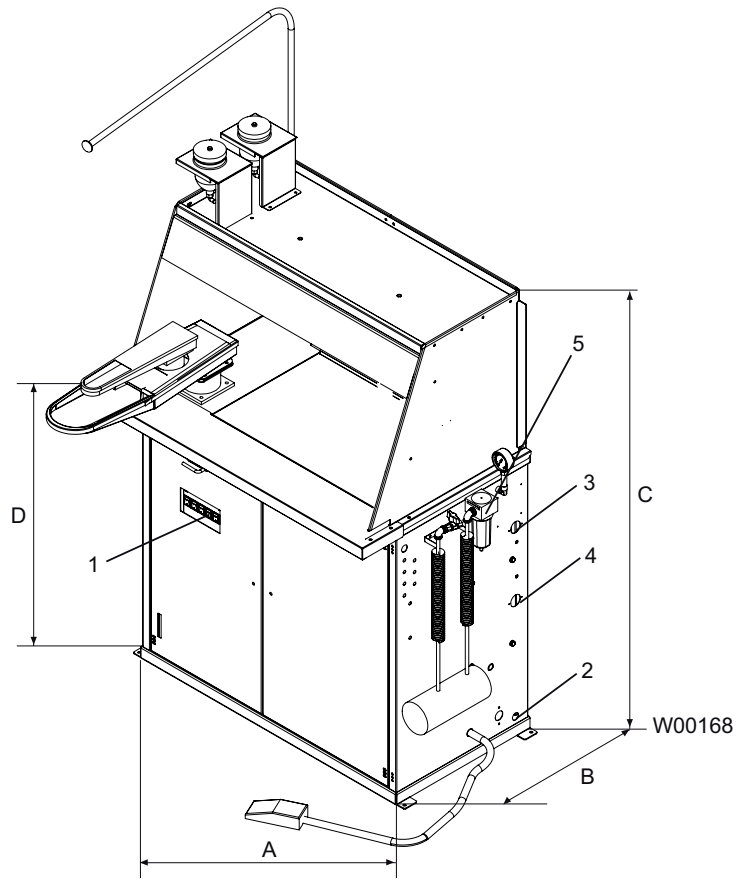
Features and benefits

- Spotting cabinet for pre- and post-spotting
- Stainless steel cabinet
- Ecological filter (active carbon) reduces solvent fumes
- Compact design
- Internal lightning, illuminates the working area
- 5 liters stainless steel soap pressure tank with 2 soap guns (spray gun + brush pistol)
- Cold spotting gun with tank and support
- Air drying gun
- Spotting group with pivoting vacuum bucks
- Built-in suction fan with continuous operation or foot pedal operated
- Front door for easy maintenance
- For connection to external air supply

Main options

- Steam air gun assembly (instead of standard air gun). For connection to external steam and air supply
- Steam air gun assembly with electric automatic 3.3 kW boiler 5 litres and pump (instead of standard air gun). For connection to external air supply
- Second additional soap pressure tank with spray gun and brush pistol
- Second additional cold spotting gun with tank and support

Electrical connections		FSU4
Voltage		
208-240V 1 AC 50/60 Hz	kW (A)	0.6 (6)
400-415V 3N AC 50/60 Hz	kW (A)	2.1 (10)
208-240V 3 AC 50/60 Hz	kW (A)	2.1 (10)
Steam and air connection		
Steam	DN	15
Rec. steam pressure	kPa	400-600
Steam consumption	l/h	3-5
Condensate	DN	15
Compressed air	DN	10
Rec. air pressure	kPa	800-1000
Air consumption	l/min	150-200
Shipping data		
	net, kg	170
	crated, kg	202
	boxed, kg	250
Dimensions in mm		
A	Width	1060
B	Depth	530
C	Height	1500
D		947
1	Control panel	
2	Electrical connection	
3	Steam connection	
4	Condensate	
5	Air connection	



Thinking of you
Electrolux

www.electrolux.com/laundrysystems

Share more of our thinking at www.electrolux.com