

Spotting Tables

FSU1, FSU2, FSU3



Features and benefits

- Corrosion resistant table for pre and post spotting
- Steam/air spotting gun removes spots
- Cold spotting guns which remove spots and are safe to use
- Air drying gun, dries the fabric

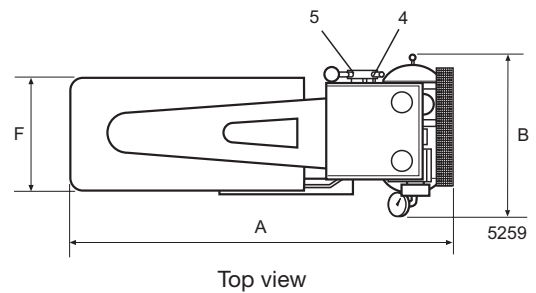
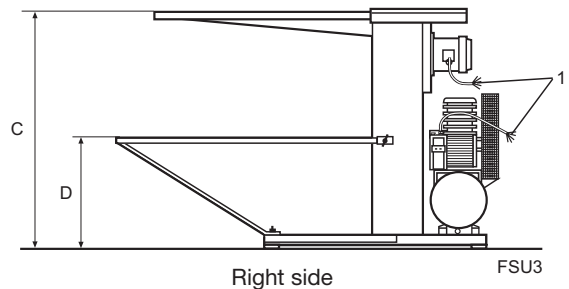
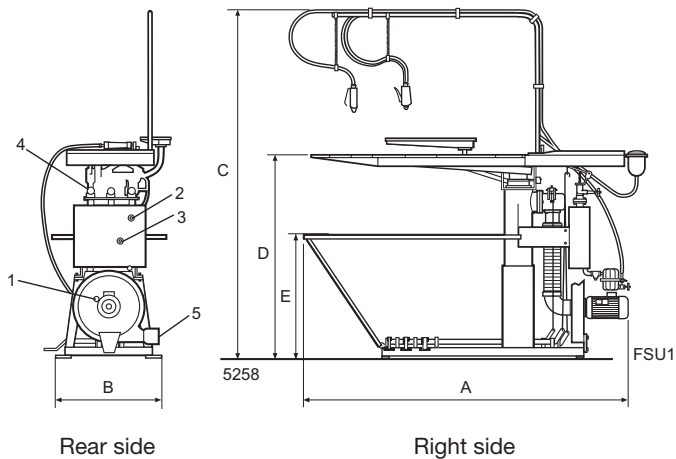
Main options

- Integral suction fan simplifies installation
- Steam/air spotting gun removes spots
- Cold spotting gun removes spots and is safe to use
- Suction cabinet improves the working environment
- Ecological filter (active carbon) reduces solvent fumes in the working area
- Integral/optional air compressor simplifies installation

FSU1	FSU2	FSU3
X	X	X
-	-	X
X	-	-
X	-	X
X	X	X
X	X	-
X	X	X
X	X	X
X	X	-
x available	- not available	

Electrical connections		FSU1	FSU2	FSU3
Voltage				
208-240V 1 AC 50/60 Hz	kW	0.25*	0.25***	0.25***
230/400-415V/3V 3N 50/60 Hz	kW	1.75**	1.75**	-
Steam, air and vacuum connection				
Steam	DN	-	-	15
Rec. steam pressure	kPa	-	-	400-500
Steam consumption	kg/h	-	-	5-10
Condensate	DN	-	-	15
Compressed air	DN	6	-	8
Rec. air pressure	kPa	500-700	-	500
Air consumption	l/min	100-200	-	100-150
Vacuum exhaust***	mm	Ø100	-	Ø100
Tank drain	DN	-	-	15
Central vacuum	mm	-	-	Ø70
Vacuum air consumption	m ³ /h	-	-	150
Vacuum depression	mm H ₂ O	-	-	140
Shipping data				
	net, kg	40	30	70
	crated, kg	70	60	100
	boxed, kg	100	90	130
Dimensions in mm				
A Width		1440	1440	1440
B Depth		700	700	420
C Height		1650	-	-
D		920	920	920
E		420	420	900
F		520	520	-
1 Electrical connection 2 Steam connection 3 Condensate 4 Air connection 5 Vacuum outlet				

* Without compressor
** With compressor
*** With vacuum



Thinking of you
Electrolux

www.electrolux.com/laundrysystems

Share more of our thinking at www.electrolux.com

Art. No. 438913461/01 08.24
We reserve the right to alter specifications without notice.