

Steam Boiler

FSB 3,3



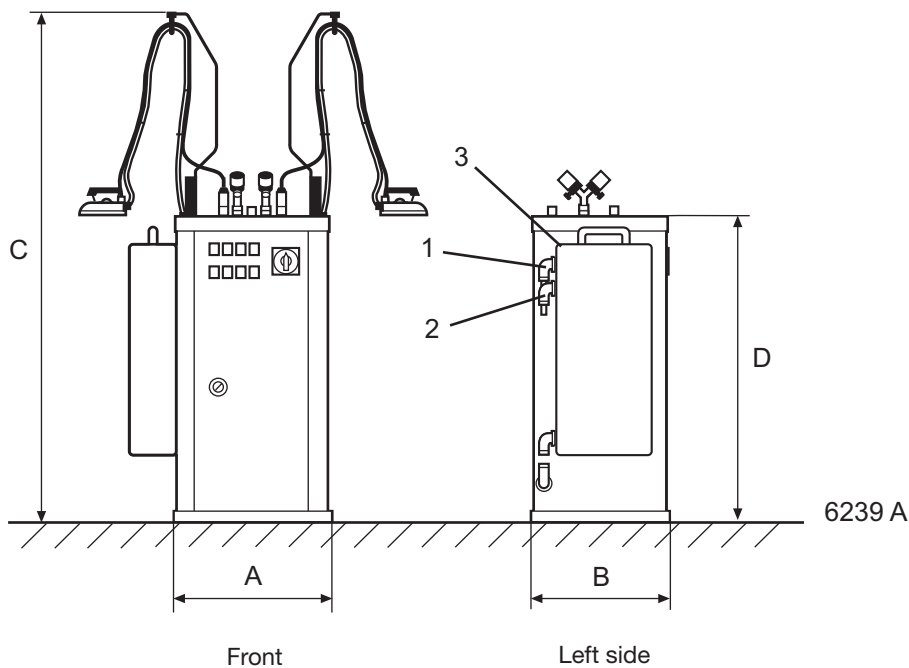
Features and benefits

- Capacity of 5 kg steam/h
- Steam boiler with electronic water level sensor, which ensures correct water level and long lifetime of the heating elements
- Standard with two steam irons
- Simple installation and maintenance

Main options

- Pump (for water pressure less than 200 kPa) with or without feed tank
- Pivoting wheels
- Steam or steam/air spotting gun

Electrical connections		FSB 3,3
Voltage		
230V 1 AC 50/60 Hz	kW(A)	3.3(16)
208-240V 3 AC 50/60 Hz		3.3(10)
380-415V 3+N AC 50/60 Hz		3.3(10)
Boiler heating		
Steam output		
4.5 kg/h		3.3 kW
Steam outlet, drain, water connections		
Working pressure	kPa	280
Pump	kW	0.3
Iron heating	kW	0.8
Water supply	int. dia. mm	13
Boiler drain	DN	15
Boiler details		
Vessel capacity	Litres	5
Shipping data		
	net, kg	73
	with packing, kg	78
Dimensions in mm		
A Width		420
B Depth		380
C Height		1400
D		790
1	Water supply	
2	Overflow hose	
3	Tank breather pipe	



Thinking of you
Electrolux