

Rotary Finishing Cabinets

FRC1, FRC2, FRC3



Features and benefits

- Even distribution of steam moistens the fabric to remove creases
- Hot air blowing presses and dries the fabric
- Body form with extending shoulder, shapes and supports the garment
- Range of sleeves/clamps improve the finish
- Trousers waister expander shapes and supports the garment
- Microprocessor, stores various programmes
- Adjustable air blowing baffle, suitable for various fabric types
- Integral 10 or 12 kW steam boiler, simplifies the installation (only FRC2)

Main options

- Automatic start on door closing, simplifies the operation
- Suspended all steam iron, enables hand finishing
- Additional body form/trouser support for high volume production
- Multiple hanger device, enables conditioning garments on hangers
- External blower, for pre-forming/post finishing
- Additional heating – 15 or 18 kW boiler (only FRC2)

Electrical connections		FRC1	FRC2	FRC3
Voltage				
208-240V 3 AC 50/60 Hz	kW	0.75		0.75
400-415V 3N AC 50 Hz	kW	0.75		0.75
Voltage, built-in boiler				
208-240V 3 AC 50/60 Hz	10 kW	-	11.4	-
380-400V 3N AC 50 Hz	12 kW	-	13.4	-
	15 kW	-	16.4	-
	18 kW	-	19.4	-
Steam and water connections				
Steam	DN	15	-	15
Rec. steam pressure	kPa	500	-	500
Steam consumption	kg/h	16-20	-	16-20
Condensate	DN	15	-	15
Water supply	mm	-	Ø12	-
Boiler drain	DN	-	15	-
Shipping data				
	net, kg	205	270	205
	crated, kg	235	300	235
	boxed, kg	295	360	295
Dimensions in mm				
A Width		1100	1100	1100
B Depth		1050	1050	1050
C Height		2040	2040	2040
D		1840	1840	1840
E		870	870	870
F		1530	1530	1530
<ol style="list-style-type: none"> Control panel Electrical connection Steam connection Condensate Boiler drain (built-in boiler only) Water supply (built-in boiler only) Air exhaust 				

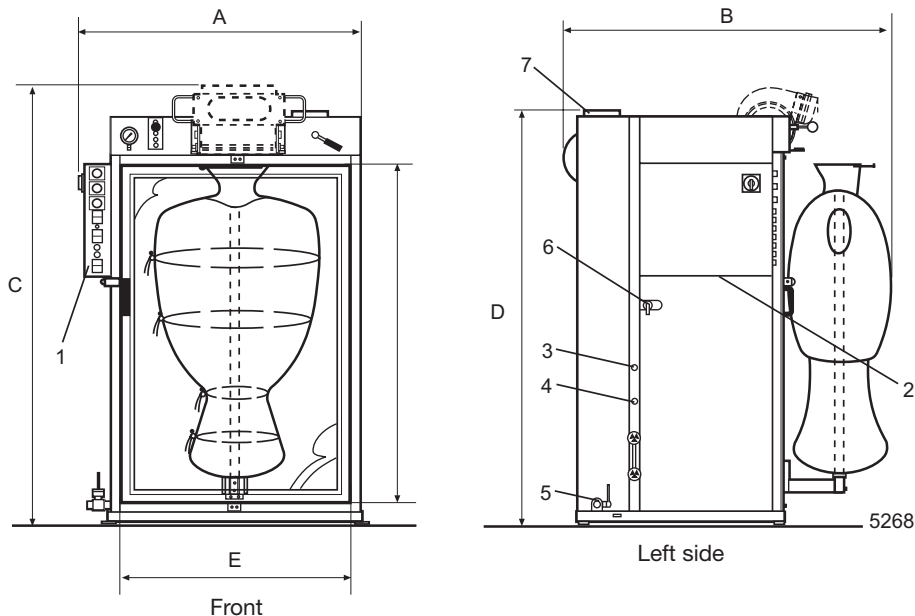
Please note:

The following configuration is available:

FRC1: Trouser device + Body Form

FRC2: Body Form + Body Form

FRC3: Trouser device + Trouser device



Thinking of you
Electrolux