

Laundry Press – Air operated collar and cuff FPA6-WC



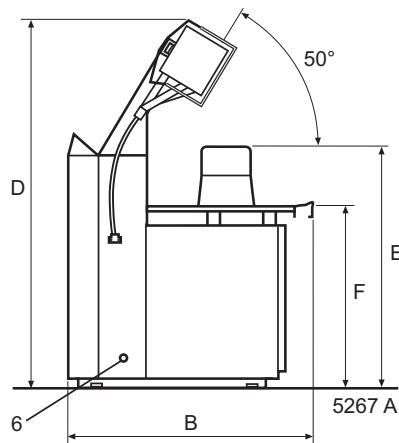
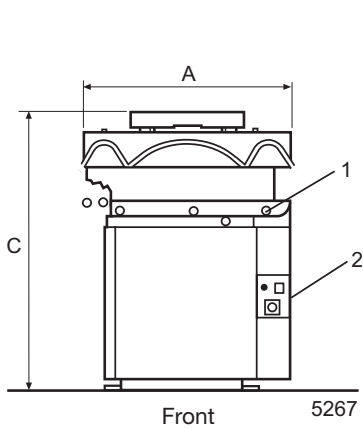
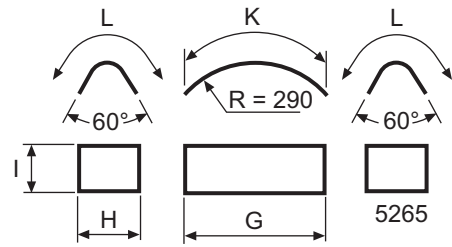
Features and benefits

- High temperature polished head, dries the fabric and gives it a flat finish
- High pressure, achieves an excellent finish
- Adjustable pressure regulator, for pressing different fabrics
- Air operated, reduces operator fatigue
- Safety two button closing, improves operator safety
- Padded buck, reduces impressions
- Adjustable release timer, simplifies the operation and ensures consistent results

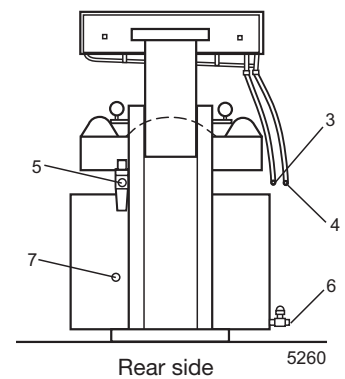
Main options

- Facilities that simplify the installation
 - Integral air compressor
 - Integral steam boiler

| Electrical connections | | Standard | Built-in boiler | Built-in air comp. |
|----------------------------------|-----------------------|----------|--------------------------------|--------------------|
| Voltage, external boiler | | | | |
| 208-240V 1 AC 50/60 Hz | kW | 0.2 | | 1.1 |
| Voltage, internal boiler | | | | |
| 208-240V 3 AC 50/60 Hz | kW | - | alt. 8.4 | - |
| 400-415V 3N AC 50/60 Hz | kW | - | 10.4 | - |
| | | - | 12.4 | - |
| | | - | 15.4 | - |
| | | - | 18.4 | - |
| Steam, air and vacuum connection | | | | |
| Steam | DN | 15 | - | 15 |
| Rec. steam pressure | kPa | 600 | - | 600 |
| Steam consumption | kg/h | 12-13 | - | 12-13 |
| Condensate | DN | 15 | 15 | 15 |
| Compressed air | DN | 10 | 10 | - |
| Rec. air pressure | kPa | 700 | 700 | - |
| Air consumption | l/min | 50 | 50 | 50 |
| Boiler drain (internal boiler) | DN | - | 15 | - |
| Shipping data | | | | |
| | net, kg | 300 | 300 | 300 |
| | crated, kg | 360 | 360 | 360 |
| | boxed, kg | 440 | 440 | 440 |
| Dimensions in mm | | | | |
| A | Width | 970 | 970 | 970 |
| B | Depth | 1135 | 1135 | 1135 |
| C | Height | 1220 | 1220 | 1220 |
| D | | 1530 | 1530 | 1530 |
| E | | 1070 | 1070 | 1070 |
| F | | 780 | 780 | 780 |
| G | | 445 | 445 | 445 |
| H | | 190 | 190 | 190 |
| I | | 150 | 150 | 150 |
| K | | 505 | 505 | 505 |
| L | | 300 | 300 | 300 |
| 1 | Control panel | 5 | Air connection | |
| 2 | Electrical connection | 6 | Boiler drain (internal boiler) | |
| 3 | Steam connection | 7 | Water supply (internal boiler) | |
| 4 | Condensate | | | |



Left side



Rear side

Thinking of you
Electrolux