

Laundry Press – Air operated with live steam

FPA5-WC



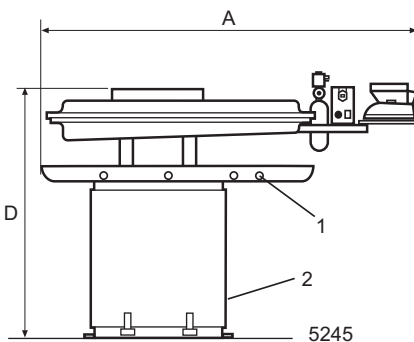
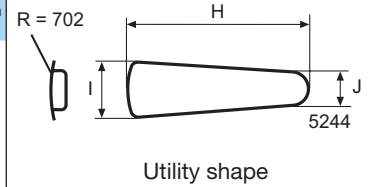
Features and benefits

- High temperature polished head dries the fabric and gives it a flat finish
- High pressure achieves an excellent finish
- Adjustable pressure regulator for pressing different fabrics
- Air operated reduces operator fatigue
- Safety two button closing improves operator safety
- Padded buck reduces impressions
- Buck/bottom steam for heavy creases and for applying moisture
- Buck vacuum cools fabric and holds it in place

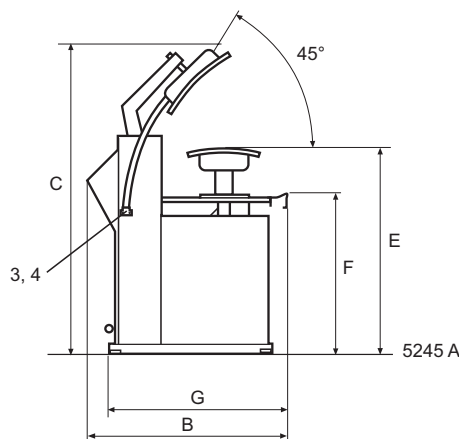
Main options

- Features that simplify the installation
 - Integral vacuum fan
 - Integral air compressor
 - Integral steam boiler – 10, 12, 15 or 18 kW
- All steam iron for safe operation
- Electric steam iron
- Safety head guard (CE) improves operator safety
- Adjustable release timer simplifies the operation and ensures consistent results

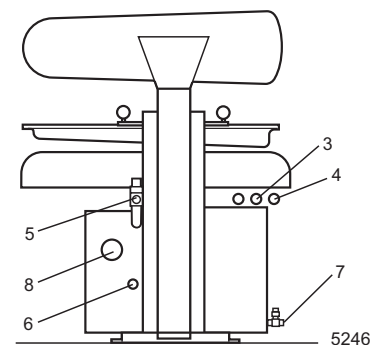
Electrical connections	Standard	Optional			
		Built-in boiler	Built-in vacuum	Built-in air comp.	Electric steam iron
Voltage, standard					
208-240V 1 AC 50/60 Hz	kW 0.1	-	0.4	0.55	0.8
Voltage, built-in boiler					
208-240V 3 AC 50/60 Hz alt. 10 kW	-	10	-	-	-
230V 3 AC 50/60 Hz 12 kW	-	12	-	-	-
380-400V 3 AC 50 Hz 15 kW	-	15	-	-	-
18 kW	-	18	-	-	-
Steam, air and vacuum connection					
Steam	DN 15	-	15	15	15
Rec. steam pressure	kPa 500	-	500	500	500
Steam consumption	kg/h 20	-	20	20	20
Condensate	DN 15	-	15	15	15
Compressed air	DN 10	10	10	-	10
Rec. air pressure	kPa 700	700	700	-	700
Air consumption	l/min 60				
Central vacuum	mm Ø100	Ø100	-	Ø100	Ø100
Vacuum air consumption	m ³ /h 400	400	-	400	400
Vacuum depression	mm H ₂ O 250	250	-	250	250
Vacuum outlet	mm -	-	Ø100	-	-
Shipping data					
	net, kg	226	320		
	crated, kg	294	370		
	boxed, kg	344	425		
Dimensions in mm					
A Width		1450	1450	1450	1450
B Depth		1100	1100	1100	1100
C Height		1450	1450	1450	1450
D		1250	1250	1250	1250
E		1030	1030	1030	1030
F		800	800	800	800
G		920	920	920	920
H		1190	1190	1190	1190
I		370	370	370	370
J		230	230	230	230
<ol style="list-style-type: none"> 1 Control panel 2 Electrical connection 3 Steam connection 4 Condensate 5 Air connection 6 Water supply – int. boiler only 7 Boiler drain – int. boiler only 8 Vacuum outlet – int. vacuum only 					



Front



Left side



Rear side

Thinking of you
