

Laundry Press – Air operated

FPA4-WC



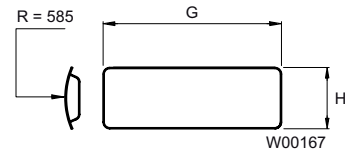
Features and benefits

- High temperature nickelplated polished head dries the fabric and gives it a flat finish
- Professional steam heating system for head (for external steam supply or with optional built-in boiler)
- Adjustable pressure regulator for pressing different fabrics achieves an excellent finish
- Air operated reduces operator fatigue and allows high production output
- Two button closing improves operator safety
- High quality padding and cover for buck reduces impressions
- Easy installation and operation due to no vacuum needed and therefore no pedal
- Buck size 1350 x 460 mm

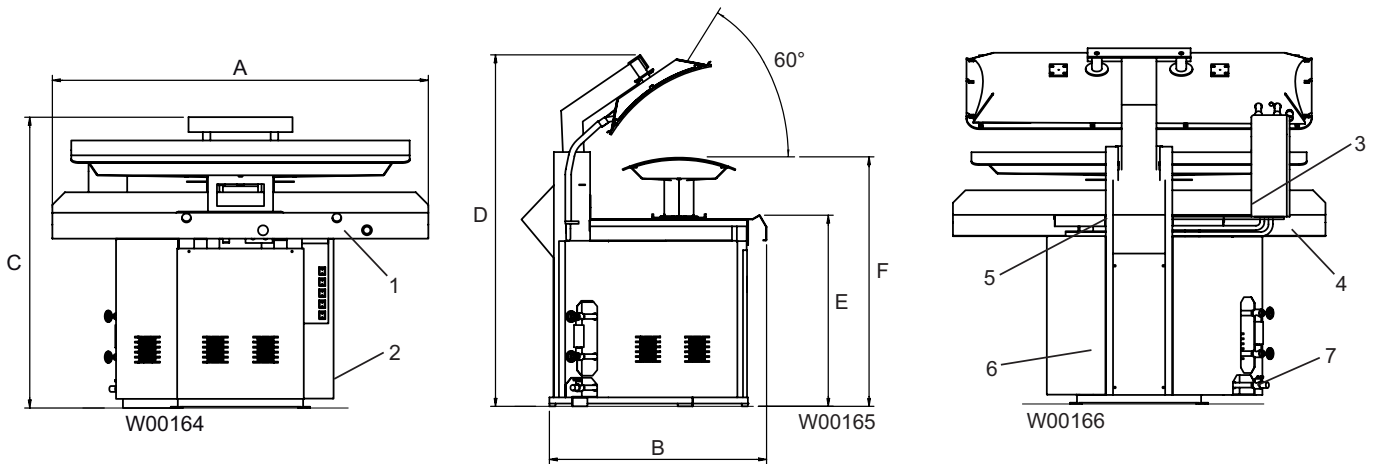
Main options

- Integral steam boiler – 18 kW
- Integral air compressor
- Safety head guard (CE) improves operator safety
- Electric steam iron

Electrical connections		Standard	Optional			
			Built-in boiler	Built-in air comp.	Electric steam iron	
Voltage, standard	208-240V 1 AC 50/60 Hz	kW (A)	-	-	-	0.8 (6)
Voltage, built-in boiler	230V 3 AC 50/60 Hz	kW (A)	-	12 (35)	1.13	-
Steam, air and vacuum connection						
Steam	DN	15	-	15	15	15
Rec. steam pressure	kPa	700	-	700	700	700
Steam consumption	kg/h	20	-	20	20	20
Condensate	DN	15	-	15	15	15
Compressed air	DN	10	10	-	-	10
Rec. air pressure	kPa	700	700	-	-	700
Air consumption	l/min	29 l/cycle				
Shipping data						
	net, kg	400	+ 46	+ 46	+ 46	+ 6
	crated, kg	430	+ 46	+ 46	+ 46	+ 6
Dimensions in mm						
A	Width	1250	1250	1250	1250	1250
B	Depth	1135	1135	1135	1135	1135
C	Height	1270	1270	1270	1270	1270
D		1600	1600	1600	1600	1600
E		800	800	800	800	800
F		1030	1030	1030	1030	1030
G		1390	1390	1390	1390	1390
H		500	500	500	500	500
1	Control panel					
2	Electrical connection					
3	Steam connection					
4	Condensate					
5	Compressed air					
6	Water supply (built-in boiler)					
7	Boiler drain (built-in boiler)					



Rectangular shape



Thinking of you
Electrolux

www.electrolux.com/laundrysystems

Share more of our thinking at www.electrolux.com

Art. No. 438913261/01 08.22
 We reserve the right to alter specifications without notice.