

Utility Dry Work Press – Air operated

FPA1-D



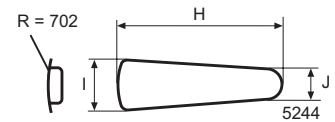
Features and benefits

- Even distribution of steam, from head and buck moistens the fabric to remove creases
- Adjustable pressure regulator for pressing different fabrics
- Buck vacuum holds fabric in place and dries after pressing
- Air operated, reduces operator fatigue
- Safety two button closing improves operator safety
- Padded head avoids glazing the fabric
- Padded buck reduces impressions

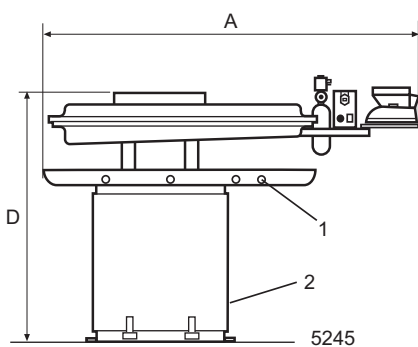
Main options

- Integral features that simplify the installation
 - Integral steam boiler – 10, 12, 15 or 18 kW
 - Integral vacuum fan
 - Integral air compressor
- All steam iron for safe operation
- Electric steam iron
- Safety head guard (CE) improves operator safety
- Steam or steam/air gun for removal of spots
- Spotting arm eases removal of spots
- Teflon coated head plate for long life

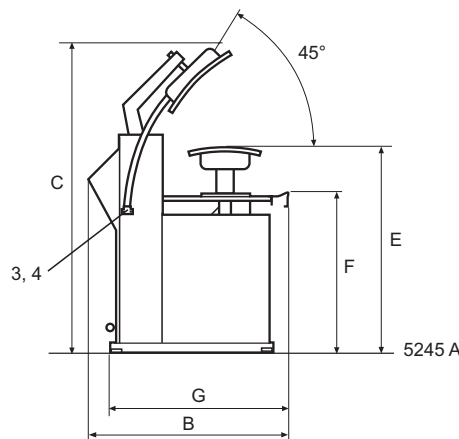
Electrical connections	Standard	Optional				
		Built-in boiler	Built-in vacuum	Built-in air comp.	Electric steam iron	
Voltage, standard						
208-240V 1 AC 50/60 Hz	kW	-	-	0.4	0.55	0.8
Voltage, built-in boiler						
208-240V 3 AC 50/60 Hz	at. 10 kW	-	10	-	-	-
230V 3 AC 50/60 Hz	12 kW	-	12	-	-	-
380-400V 3 AC 50 Hz	15 kW	-	15	-	-	-
	18 kW	-	18	-	-	-
Steam, air and vacuum connection						
Steam	DN	15	-	15	15	15
Rec. steam pressure	kPa	500	-	500	500	500
Steam consumption	kg/h	20	-	20	20	20
Condensate	DN	15	-	15	15	15
Compressed air	DN	10	10	10	-	10
Rec. air pressure	kPa	700	700	700	-	700
Air consumption	l/min	60				
Central vacuum	mm	Ø100	Ø100	-	Ø100	Ø100
Vacuum air consumption	m³/h	400	400	-	400	400
Vacuum depression	mm H ₂ O	250	250	-	250	250
Vacuum outlet	mm	-	-	Ø100	-	-
Shipping data						
	net, kg	226	320			
	crated, kg	294	370			
	boxed, kg	344	425			
Dimensions in mm						
A Width		1450	1450	1450	1450	1450
B Depth		1100	1100	1100	1100	1100
C Height		1450	1450	1450	1450	1450
D		1250	1250	1250	1250	1250
E		1030	1030	1030	1030	1030
F		800	800	800	800	800
G		920	920	920	920	920
H		1190	1190	1190	1190	1190
I		370	370	370	370	370
J		230	230	230	230	230
1 Control panel						
2 Electrical connection						
3 Steam connection						
4 Condensate						
5 Air connection						
6 Water supply – built-in boiler only						
7 Boiler drain – built-in boiler only						
8 Vacuum outlet						



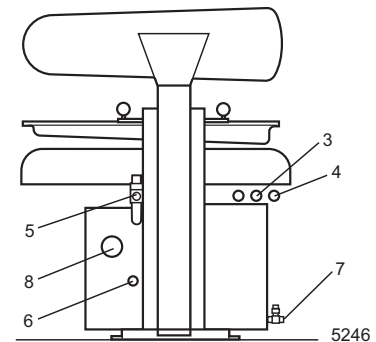
Utility shape



Front



Left side



Rear side

Thinking of you