

# Laundry Presses – Air operated

## FPA1-WC, FPA2-WC, FPA3-WC



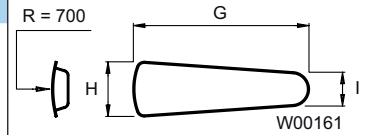
### Features and benefits

- High temperature stainless steel polished head dries the fabric and gives it a flat finish
- High pressure achieves an excellent finish
- Adjustable pressure regulator for pressing different fabrics achieves an excellent finish
- Air operated reduces operator fatigue and allows high production output
- Two button closing improves operator safety
- High quality padding and cover for buck reduces impressions
- Easy installation and operation due to no vacuum needed and therefore no pedal

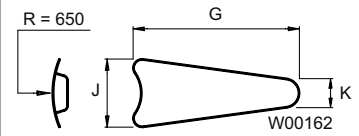
### Main options

- Integral steam boiler – 9 kW
- Integral air compressor
- Electric steam iron
- Safety head guard (CE) improves operator safety
- Adjustable release timer simplifies the operation and ensures consistent results
- Water spray gun with support and condenser

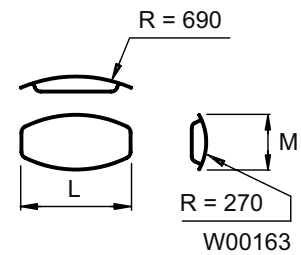
Electrical connections	Standard	Optional			
		Built-in boiler	Built-in air comp.	Electric steam iron	
Voltage, standard 208-240V 1 AC 50/60 Hz	kW (A)	-	-	-	0.8 (6)
Voltage, built-in boiler 230V 3 AC 50/60 Hz	kW (A)	-	9 (25)	0.75	-
<b>Steam, air and vacuum connection</b>					
Steam	DN	15	-	15	15
Rec. steam pressure	kPa	700	-	700	700
Steam consumption	kg/h	20	-	20	20
Condensate	DN	15	-	15	15
Compressed air	DN	10	10	-	10
Rec. air pressure	kPa	700	700	-	700
Air consumption	l/min	6 l/cycle			
<b>Shipping data</b>					
	net, kg	326	+ 46	+ 46	+ 6
	crated, kg	356	+ 46	+ 46	+ 6
<b>Dimensions in mm</b>					
<b>A</b> Width		1250	1250	1250	1250
<b>B</b> Depth		920	920	920	920
<b>C</b> Height		1250	1250	1250	1250
<b>D</b>		1450	1450	1450	1450
<b>E</b>		800	800	800	800
<b>F</b>		1030	1030	1030	1030
<b>G</b>		1190	1190	1190	1190
<b>H</b>		360	360	360	360
<b>I</b>		220	220	220	220
<b>J</b>		470	470	470	470
<b>K</b>		205	205	205	205
<b>L</b>		520	520	520	520
<b>M</b>		260	260	260	260
<b>N</b>		1490	1490	1490	1490
<b>1</b> Control panel	<b>4</b> Condensate	<b>7</b> Boiler drain (built-in boiler)			
<b>2</b> Electrical connection	<b>5</b> Compressed air				
<b>3</b> Steam connection	<b>6</b> Water supply (built-in boiler)				



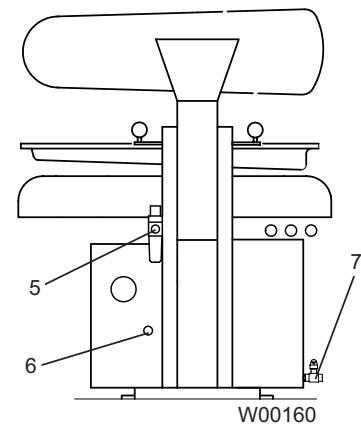
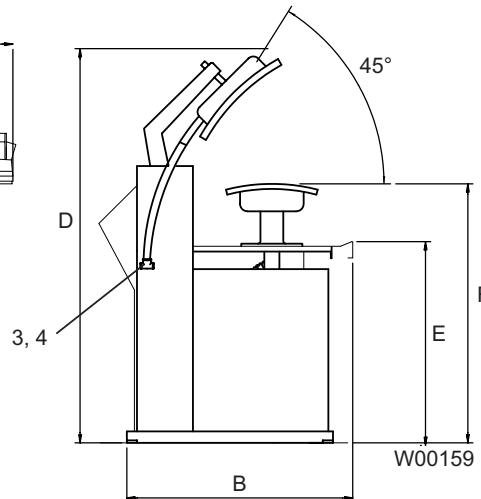
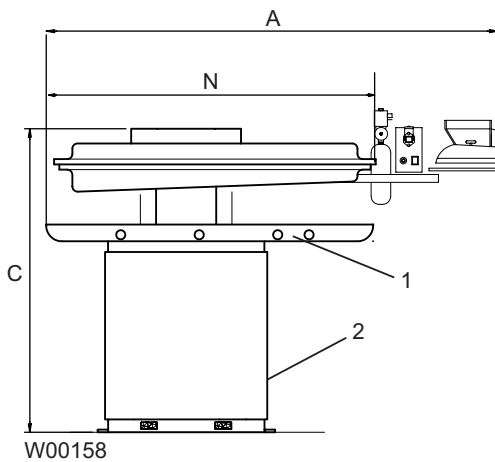
Utility shape  
FPA1-WC shown



Utility/legger shape  
FPA2-WC shown



Mushroom shape  
FPA3-WC shown



Thinking of you  
**Electrolux**