

# Vacuum/Blowing Ironing Tables

FIT6A, FIT6B



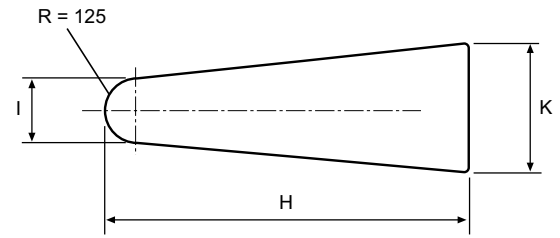
## Features and benefits

- Heated, to keep the working surface dry
- Utility shape, for general purpose

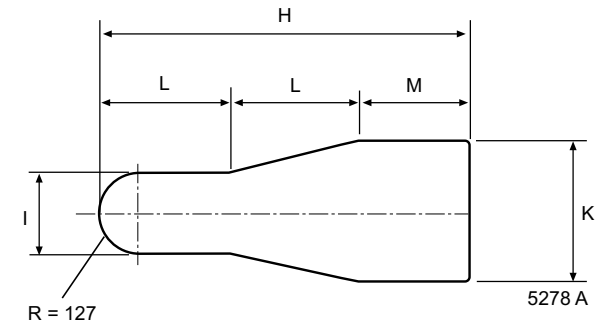
## Main options

- Steam electric iron c/w separator versatile
- Integral steam boiler for simple installation
- Free standing boiler, for simple installation
- Steam or steam/air gun for spotting
- Sleeve arm for pressing awkward shapes
- Spotting arm eases the removal of spots
- Overhead gantry to support iron hoses
- Iron balancer, reduces operator fatigue
- Light, illuminates the working area
- Additional pedals (vac/blow) for dual side operation
- Additional swivelling iron rest for operator convenience

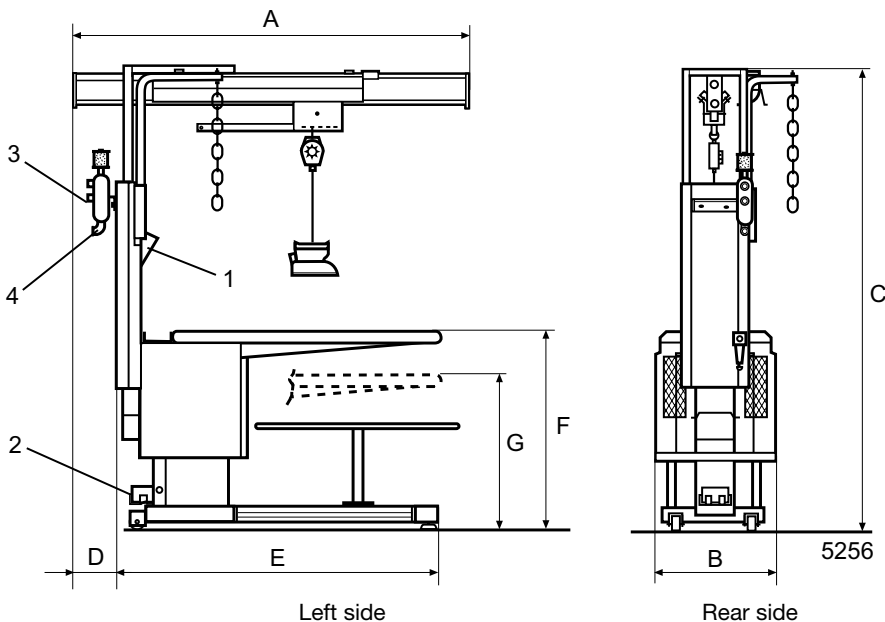
Electrical connections		FIT6A	FIT6B	Built-in boiler
Voltage				
208-240V 1 AC 50/60 Hz	kW	1.5	1.5	-
208-240V 3 AC 50/60 Hz	kW	-	-	4
400-415V 3N AC 50 Hz	kW	-	-	4
<b>Steam and air connection</b>				
Steam	DN	10	10	
Rec. steam pressure	kPa	550	550	
Steam consumption	kg/h	3	3	
Condensate	DN	15	15	
Compressed air	DN	6	6	
Rec. air pressure	kPa	500-700	500-700	
Air consumption	l/min	120	120	
<b>Shipping data</b>				
	net, kg	180	180	
	crated, kg	210	210	
	boxed, kg	250	250	
<b>Dimensions in mm</b>				
<b>A</b> Width		2150	2150	
<b>B</b> Depth		470	470	
<b>C</b> Height		1535	1535	
<b>D</b>		85	85	
<b>E</b>		1300	1300	
<b>F</b>		930	930-	
<b>G</b>		810	810	
<b>H</b>		1300	1300	
<b>I</b>		250	300	
<b>K</b>		500	500	
<b>L</b>		-	470	
<b>M</b>		-	360	
<b>1</b> Control panel <b>2</b> Electrical connection <b>3</b> Steam connection <b>4</b> Condensate <b>5</b> Air connection				



FIT6A shown



FIT6B shown



Thinking of you  
**Electrolux**