

Rectangular Vacuum Ironing Tables

FIT5A, FIT5B



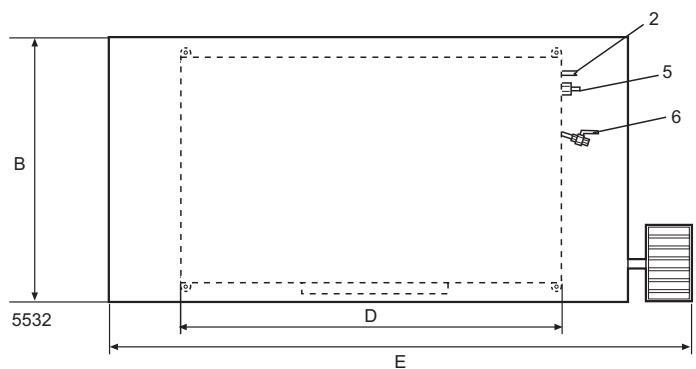
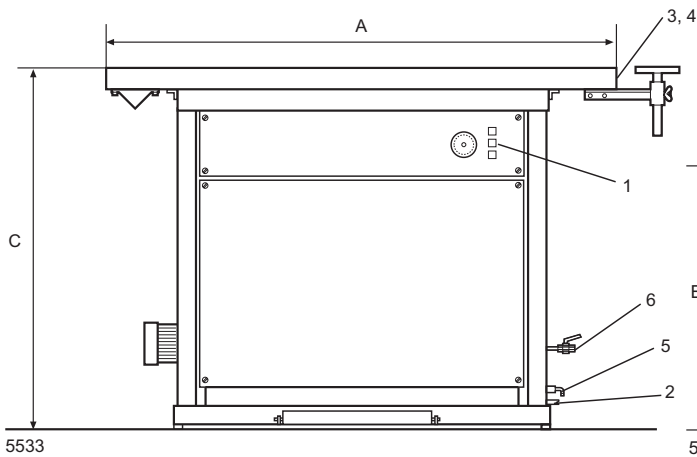
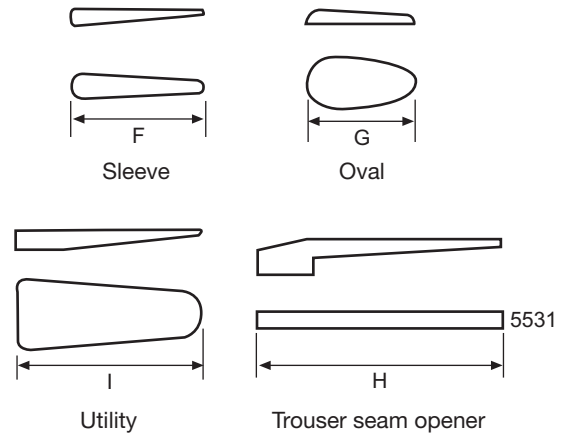
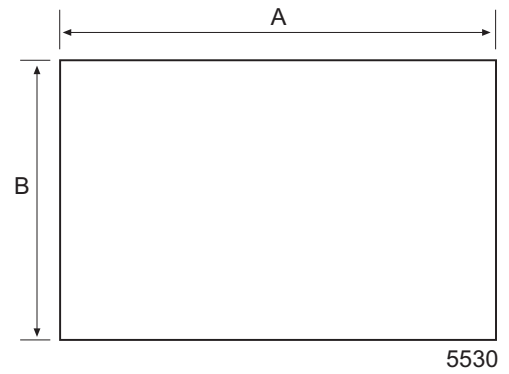
Features and benefits

- Heated, to keep the working surface dry
- Rectangular, has a large working area
- Two available sizes
- Integral vacuum fan holds the garment in place and dries the fabric after pressing

Main options

- Steam electric iron c/w separator versatile
- Integral steam boiler for simple installation
- Free standing boiler, for simple installation
- Overhead gantry to support iron hoses
- Iron balancer, reduces operator fatigue
- Light, illuminates the working area
- Wide range of swivelling buck shapes for specific pressing operations

Electrical connections (including iron)		FIT5A	FIT5B
Voltage			
200-240V 1 AC 50/60 Hz	kW	2.8	3.8
208-240V 3 AC 50/60 Hz	kW	-	-
300-415V 3/3N AC 50/60 Hz	kW	-	-
Voltage, built-in boiler (3.3kW)			
208-240V 3 AC 50/60 Hz	kW	6.1	7.1
380-415V 3/3N AC 50/60 Hz	kW	6.1	7.1
Steam, air and vacuum connection			
Steam	DN	10	10
Rec. steam pressure	kPa	550	550
Steam consumption	kg/h	3-5	3-5
Condensate	DN	15	15
Water supply	mm	12	12
Boiler drain	DN	10	10
Shipping data			
	net, kg	150	150
	crated, kg	185	185
	boxed, kg	225	225
Dimensions in mm			
A Width		1200	1600
B Depth		700	850
C Height		880	880
D		860	860
E		1410	1810
F		620	620
G		500	500
H		1150	1150
I		860	860
<ul style="list-style-type: none"> 1 Control Panel 2 Electrical connection 3 Steam connection 4 Condensate 5 Water supply - internal boiler only 6 Boiler drain - internal boiler only 			



Thinking of you
Electrolux