

# Vacuum/Blowing/Steaming Ironing Tables

## FIT4A, FIT4B



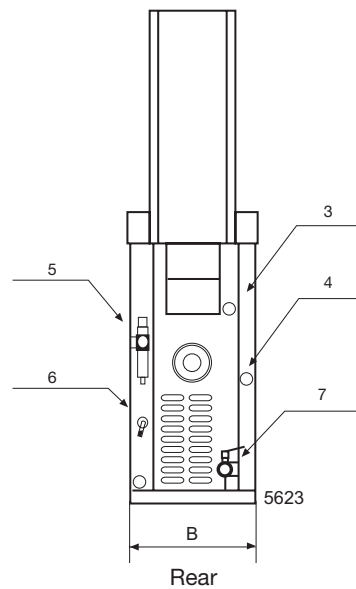
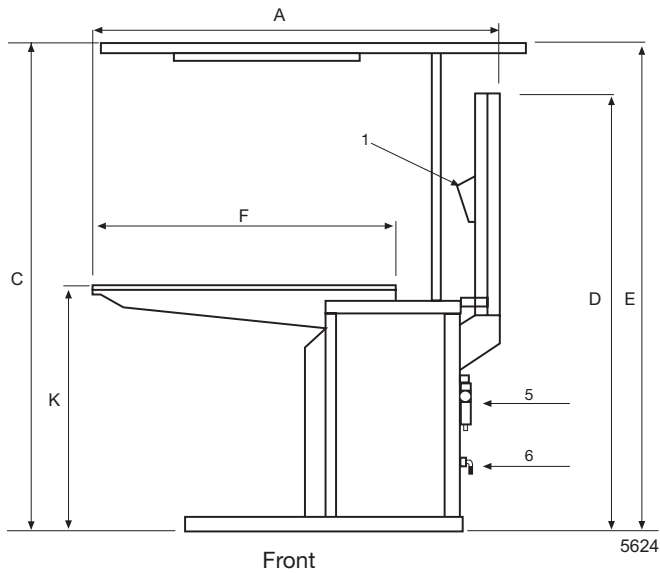
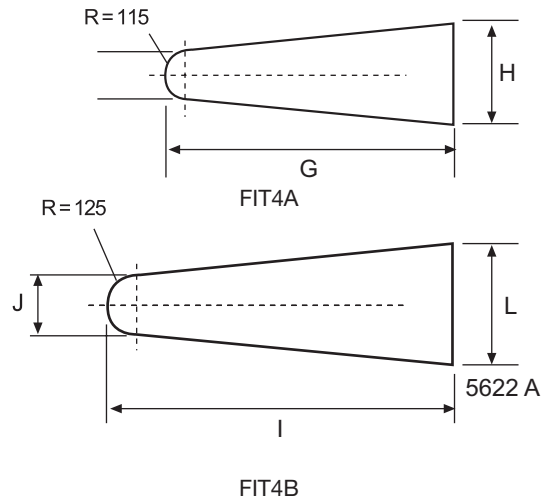
### Features and benefits

- Heated, to keep the working surface dry
- Utility shape, for general purpose
- Integral vacuum fan holds the garment in place and dries the fabric after pressing

### Main options

- Steam electric iron c/w separator
- Integral steam boiler for simple installation
- Blowing facility from table eases finishing of light weight fabric and linings
- Steam facility from table eases finishing of Knitwear
- Steam or steam/air gun for spotting
- Sleeve arm for pressing awkward shapes
- Spotting arm eases the removal of spots
- Overhead gantry to support iron hoses
- Light, illuminates the working area
- Additional pedals (vac/blow/steam) for dual side operation
- Additional swivelling iron rest for operator convenience

Electrical connections		FIT4A	FIT4B	Built-in boiler
Voltage				
208-240V 1 AC 50/60 Hz	kW	1.5	1.5	-
208-240V 3 AC 50/60 Hz	kW	-	-	4
400-415V 3N AC 50 Hz	kW	-	-	4
Steam and air connection				
Steam	DN	10	10	
Rec. steam pressure	kPa	550	550	
Steam consumption	kg/h	3	3	
Condensate	DN	15	15	
Compressed air	DN	6	6	
Rec. air pressure	kPa	500-700	500-700	
Air consumption	l/min	120	120	
Weight (with boiler)				
	net, kg	180	180	
	crated, kg	210	210	
	boxed, kg	250	250	
Dimensions in mm				
A	Width	1695	1695	
B	Depth	500	500	
C	Height	2060	2060	
D		1625	1625	
E		2060	2060	
F		1310	1310	
G		1100		
H		380		
J			250	
K		910	910	
L			500	
<ol style="list-style-type: none"> <li>1 Control panel</li> <li>2 Electrical connection</li> <li>3 Steam inlet</li> <li>4 Condensate</li> <li>5 Air supply</li> <li>6 Water inlet (internal boiler only)</li> <li>7 Boiler drain (internal boiler only)</li> </ol>				



Thinking of you  
**Electrolux**