

Vacuum Ironing Tables

FIT3A, FIT3B



Features and benefits

- Heated to keep the working surface dry
- Utility shape for general purpose
- Integral vacuum fan holds the garment in place and dries the fabric after pressing
- Height adjustable

FIT3A

x
x
x
x

FIT3B

x
x
x
x

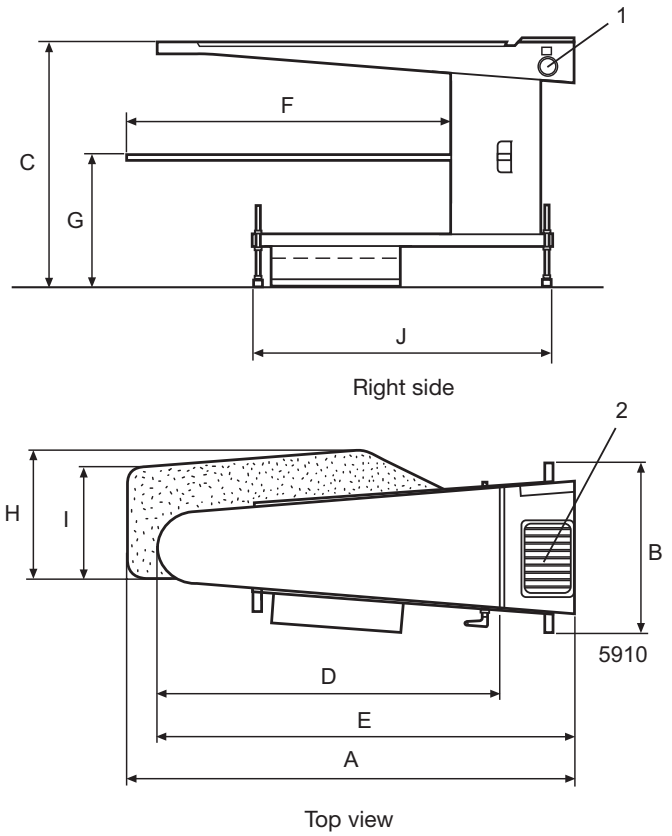
Main options

- Steam electric iron c/w separator
- Integral boiler for simple installation
- Steam gun for removal of spots
- Steam/air gun for removal of spots
- Light, illuminates the working area
- Swinging arm with sleeves ironing shape
- Swinging arm with heated sleeves ironing shape
- Swinging arm with spotting shape plus receiving tank for liquids

x
x
x
x
x
x
x
x

x
x
x
x
x
x
x
x

Electrical connections		FIT3A	FIT3B
Voltage			
208-240V 1 AC	kW(A)	1.3(10)	1.6(10)
380-415V 3N AC	kW(A)	1.3(10)	1.6(10)
Shipping data			
Weight	net, kg	56	62
	crated, kg	71	77
Shipping volume	m ³	0.53	0.76
Dimensions in mm			
A	Width	1390	1630
B	Depth	540	635
C	Height	750-930	750-930
D		1100	1300
E		1290	1490
F		1020	1230
G		380-560	380-560
H		400	500
I		350	350
J		1000 (1200)	1000 (1200)
1 Control panel			
2 Electrical connection			



Thinking of you
Electrolux

www.electrolux.com/laundrysystems

Share more of our thinking at www.electrolux.com