

Vacuum Ironing Tables

FIT2A, FIT2B



Model FIT2A shown

Features and benefits

- Heated to keep the working surface dry
- Utility shape for general purpose
- Integral vacuum fan holds the garment in place and dries the fabric after pressing
- Steam electric iron c/w separator versatile
- Integral boiler for simple installation

FIT2A

FIT2B

Main options

- Steam electric iron c/w separator
- Free standing boiler for simple installation
- Cold spotting gun(s) for removal of spots
- Steam gun for removal of spots
- Steam/air gun for removal of spots
- Sleeve arm for pressing awkward shapes
- Spotting arm for spotting
- Overhead gantry to support iron hoses
- Iron balancer reduces operator fatigue
- Light, illuminates the working area

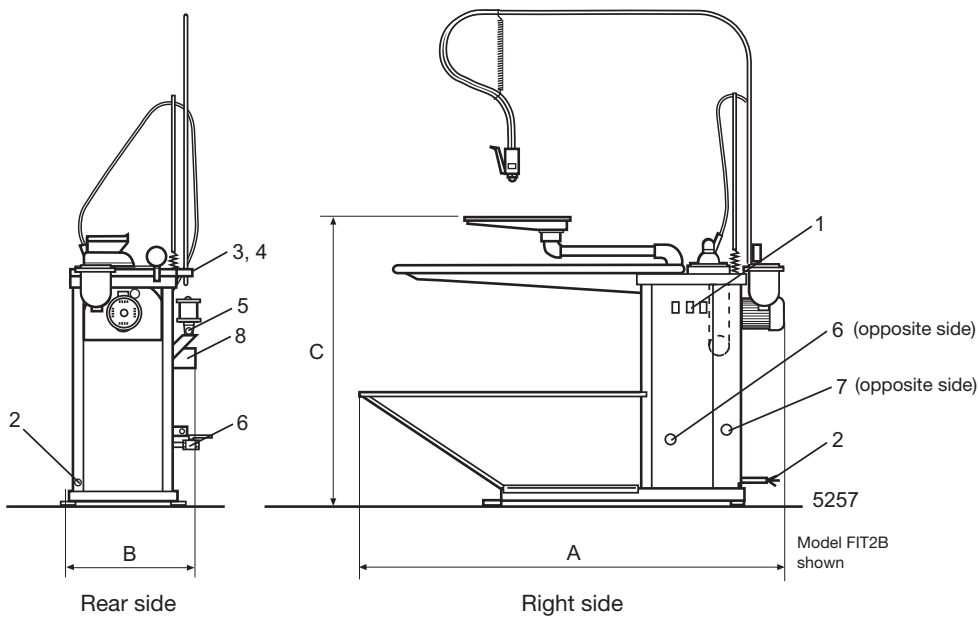
	FIT2A	FIT2B
• Heated to keep the working surface dry	X	X
• Utility shape for general purpose	X	X
• Integral vacuum fan holds the garment in place and dries the fabric after pressing	X	X
• Steam electric iron c/w separator versatile	-	X
• Integral boiler for simple installation	-	X
• Steam electric iron c/w separator	X	-
• Free standing boiler for simple installation	X	-
• Cold spotting gun(s) for removal of spots	X	X
• Steam gun for removal of spots	X	X
• Steam/air gun for removal of spots	X	X
• Sleeve arm for pressing awkward shapes	X	X
• Spotting arm for spotting	X	X
• Overhead gantry to support iron hoses	X	X
• Iron balancer reduces operator fatigue	X	X
• Light, illuminates the working area	X	X

x available
- not available

Electrical connections		FIT2A	FIT2B
Voltage			
208-240V 1 AC 50/60 Hz	kW	0.85	-
208-240V 3 AC 50/60 Hz	kW	-	5.6
380-415V 3/3N AC 50/60 Hz	kW	-	5.6
Steam, air and vacuum connection			
Steam	DN	10	-
Rec. steam pressure	kPa	400-600	200-250
Steam consumption	kg/h	4	-
Condensate	DN	15	-
Water supply	mm	-	Ø12
Boiler drain	DN	-	10
Compressed air	DN	8	8
Rec. air pressure	kPa	500-700	600-700
Air consumption	l/min	300	300
Vacuum outlet	mm	Ø100	Ø100
Shipping data			
	net, kg	70	105
	crated, kg	100	135
	boxed, kg	140	175
Dimensions in mm			
A Width		1520	1600
B Depth		435	470
C Height		920	920
<ul style="list-style-type: none"> 1 Control panel 2 Electrical connection 3 Steam connection 4 Condensate 5 Air connection 6 Boiler drain 7 Water supply 8 Vacuum outlet 			



Model FIT2B shown



Thinking of you
Electrolux

www.electrolux.com/laundrysystems

Share more of our thinking at www.electrolux.com