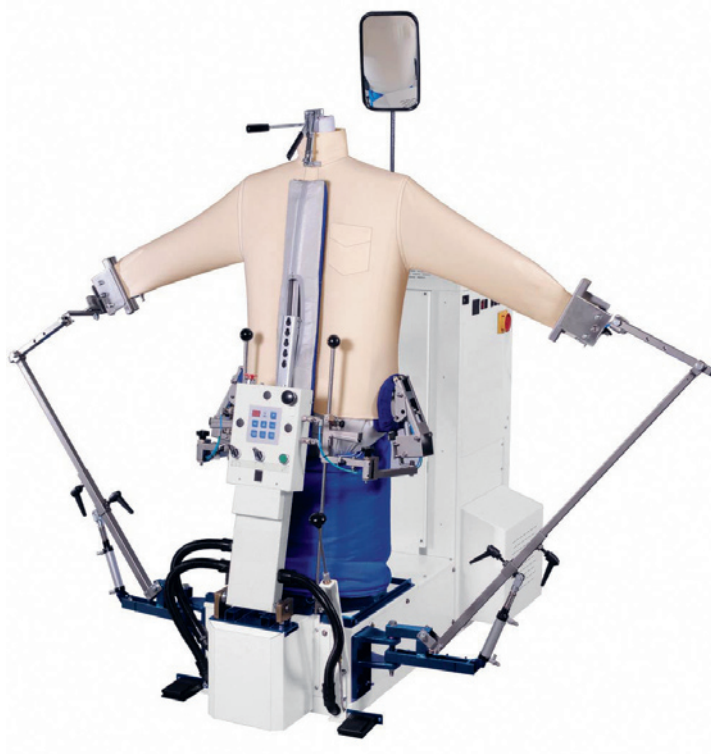


Multi-Form Finishers

FFM1, FFM2



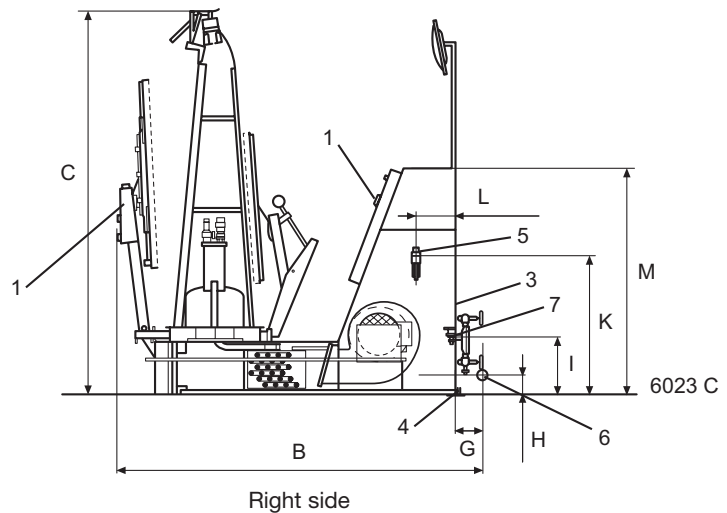
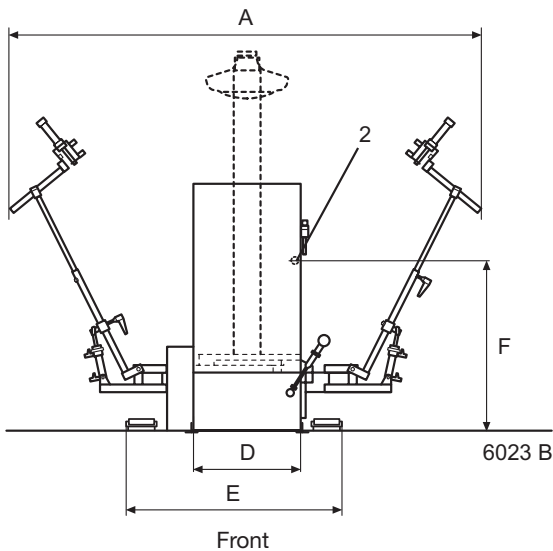
Features and benefits

- Even distribution of steam moistens the fabric to remove creases
- For shirts and jackets/coats/labcoats/whitecoats processing
- Hot air blowing presses and dries the fabric
- Pneumatic front clamp holds the garment in place
- Adjustable air blowing baffle, suitable for various fabric types
- Available either for central steam (FFM1) or with built-in boiler (FFM2)
- Self-contained and integral steam boiler simplifies the installation (FFM2) and can operate a collar & cuffs press too, for a complete shirts group
- Air operated cuff clamp improves the sleeve finish

Main options

- Water spray gun with support (FFM2)
- Water spray gun with support and condenser (FFM1)

Electrical connections		FFM1	FFM2
Voltage			
208-240V 3 AC 50/60 Hz	kW	2	29
400-415V 3N AC 50 Hz	kW	2	29
Steam and Air connection			
Steam	DN	15	15
Rec. steam pressure	kPa	500	500
Steam consumption	kg/h	25-30	25-30
Condensate	DN	15	15
Compressed air	DN	8	8
Rec. air pressure	kPa	700	700
Air consumption	l/h	150	150
Water supply	mm	-	Ø13
Boiler drain	DN	-	15
Shipping data			
	net, kg	196	218
	crated, kg	238	260
	boxed, kg	286	308
Dimensions in mm			
A Width	max	2000	2000
B Depth		1600	1600
C Height		1700	1700
D		455	455
E		780	780
F		490	490
G		60	60
H		130	130
I		215	215
K		570	570
L		170	170
M		1000	1000
1 Control panel		6 Water drain (built-in boiler only)	
2 Electrical connection		7 Water supply (built-in boiler only)	
3 Steam connection			
4 Condensate			
5 Air connection			



Thinking of you
Electrolux

www.electrolux.com/laundrysystems

Share more of our thinking at www.electrolux.com