

Traditional Form Finishers

FF1, FF2, FF3



Model FF1 shown

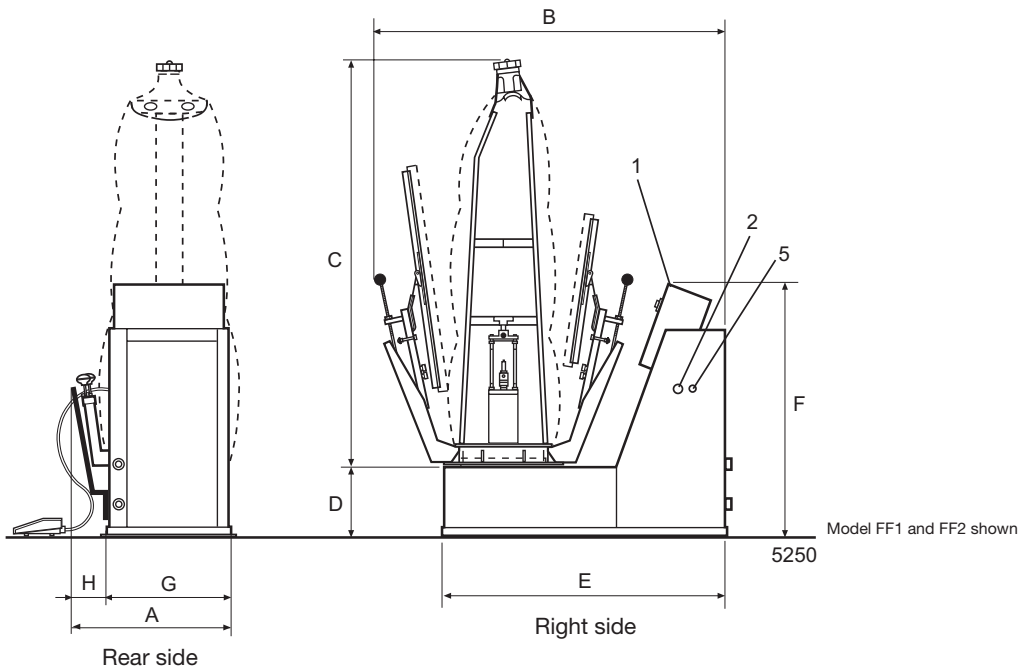
Features and benefits

- Even distribution of steam moistens the fabric to remove creases
- Hot air blowing presses and dries the fabric
- Front clamp, holds the garment in place
- Adjustable steam/air timers for a consistent finish
- Adjustable air blowing baffle, suitable for various fabric types
- Range of sleeves/clamps, improve the finishing
- Self contained and integral steam boiler simplifies the installation (only FF3)
- Air operated cuff clamp (jackets) improves the sleeve finish (only FF2)

Main options

- Range of forms for a wide variety of garments
- Water spray gun, ideal for heavily creased areas

Electrical connections		FF1, FF2	FF3
Voltage			
208-240V 3 AC 50/60 Hz	kW	1.7	alt.kW 7.7
400-415V 3N AC 50 Hz	kW	1.7	9.7
			11.7
			13.7
Steam and Air connection			
Steam	DN	15	-
Rec. steam pressure	kPa	550	-
Steam consumption	kg/h	15-18	-
Condensate	DN	15	-
Compressed air	DN	8	8
Rec. air pressure	kPa	700	700
Air consumption	l/h	300	300
Water supply	mm	-	Ø12
Boiler drain	DN	-	15
Shipping data			
	net, kg	97	155
	crated, kg	137	195
	boxed, kg	175	235
Dimensions in mm			
A	Width	530	530
B	Depth	1200	1470
C	Height	1370	1490
D		230	350
E		970	1320
F		880	860
G		430	405
H		160	150
1	Control panel	5	Air connection
2	Electrical connection	6	Water drain (built-in boiler only)
3	Steam connection	7	Water supply (built-in boiler only)
4	Condensate		



Thinking of you
Electrolux