

Bases and stacking kits for washer extractors and tumble dryers



Features and benefits

- A base brings the machine to a convenient working height – for improved ergonomics in your laundry
- Front and side panels of the machine are better protected from wear and tear when mounted on a base
- Tanks for the re-use of water or solvent – for lower utility costs
- The re-use tanks are integrated in the base – space saving
- Fluff collectors prevent the drainpipe from becoming clogged
- Base with removable lint compartment in the front of the machine for easy cleaning and maintenance

BASE; open front & sides



Suitable for models: WH6-6, WH6-7, WH6-8, TD6-6, TD6-10
Material: Stainless steel.



Suitable for models: WH6-7, WH6-8, WH6-11, WH6-14, WH6-20, WH6-27, WH6-33, TD6-10
Material: Stainless steel.

BASE; closed front & sides



Suitable for models: WH6-6, TD6-6
Height: 100 mm
988918473
Material: Stainless steel
988918474
Material: Galvanised, silver grey painted



Suitable for models: WH6-6, TD6-6
Height: 290 mm
988918483 (WH6-6)
988918487 (TD6-6)
Material: Stainless steel front and galvanised, silver grey painted sides
988918484 (WH6-6)
988918488 (TD6-6)
Material: Galvanised, silver grey painted front and sides

Special version "floating foundation (concrete filled)"

988918485 (WH6-6)
Material: Stainless steel front and galvanised, silver grey painted sides
988918486 (WH6-6)
Material: Galvanised, silver grey painted front and sides

BASE; closed front & sides

5



Suitable for models: WH6-7, WH6-8, WH6-11, WH6-14, WH6-20, WH6-27, WH6-33, TD6-10

Material: Galvanised, silver grey painted steel with stainless steel front panel.

6



Suitable for models: WN6-8, WN6-9, WN6-11, WN6-14, WN6-20, WN6-28, WS6-8, WS6-9, WS6-11, WS6-14, WS6-20, WS6-28

Material: Galvanised steel with stainless steel front panel.

BASE; mobile

7



Suitable for models: WH6-7, WH6-8, WH6-11, TD6-10

Material: Galvanised, silver grey painted steel with stainless steel front panel.

Feature: The base frame has four wheels. Makes the maintenance work easier in narrow areas.

BASE; "floating foundation"

8



Suitable for models: WH6-7, WH6-8, WH6-11, WH6-14, WH6-20, WH6-27, WH6-33

Material: Galvanised, silver grey painted steel with stainless steel front panel.

Feature: A "floating foundation" filled with concrete eliminates noise to other parts of the building.

BASE; closed front and sides with wheels

9



Suitable for models: TD6-7
 988918475 Height: 100 mm
 Material: Stainless steel
 988918476 Height: 100 mm
 Material: Galvanised, silver grey painted

BASE; open front and sides with wheels

10



Suitable for models: TD6-7
 988918477 Height: 370 mm
 Material: Stainless steel
 988918478 Height: 370 mm
 Material: Galvanised, silver grey painted

STACKING KIT with or without base


Suitable for models:
 988918479
 988918480
 988918481 + 988918473*
 988918482 + 988918474**
 988918481
 988918482

WH6-6 with TD6-7
 Stainless steel stacking kit without the base
 Galvanised, silver grey painted stacking kit without the base
 Stainless steel stacking kit with the base included
 Galvanised, silver grey painted stacking with the base included
 Stainless steel stacking kit, when re-using existing base
 Galvanised, silver grey painted stacking, when re-using existing base

STACKING KIT


Suitable for models: WH6-6 with TD6-6
 988802039 Depth: 210 mm
 Material: Galvanised, silver grey painted

High spin washer extractors								
Pos.	Height in mm	WH6-6	WH6-7, WH6-8	WH6-11	WH6-14	WH6-20	WH6-27	WH6-33
1	200	988918610						
1	290	988918611						
1	555	988918612						
1	240		988918505					
2	490		988918506	988918606				
2	485				988918706			
2	490							
2	460					988918806		
2	460							
2	430						988918906	988919006
2	430							
3	100	988918473						
3	100	988918474						
4	290	988918483						
4	290	988918484						
4	290	988918485						
4	290	988918486						
5	190		988918571	988918671				
5	210				988918771			
5	230					988918871	988918971	988919071
7	190		988918573	988918673				
8	190		988918572	988918672				
8	210				988918772			
8	230					988918872	988918972	

Normal and Super spin washer extractors							
Pos.	Height in mm	WN6-8, WS6-8	WN6-9, WS6-9	WN6-11, WS6-11	WN6-14, WS6-14	WN6-20, WS6-20	WN6-28, WS6-28
6	190	988919501	988919501	988919503			
6	210				988919551		
6	210					988919552	
6	230						988919553

Tumble dryers				
Pos.	Height in mm	TD6-6	TD6-7	TD6-10
10	370		988918477	
10	370		988918478	
1	200	988918610		
1	240			988918505
1	290	988918611		
1	555	988918612		
2	490			988918506
3	100	988918473		
3	100	988918474		
4	290	988918487		
4	290	988918488		
5	190			988918581
9	100		988918475	
9	100		988918476	
7	190			988918583

FLUFF COLLECTORS

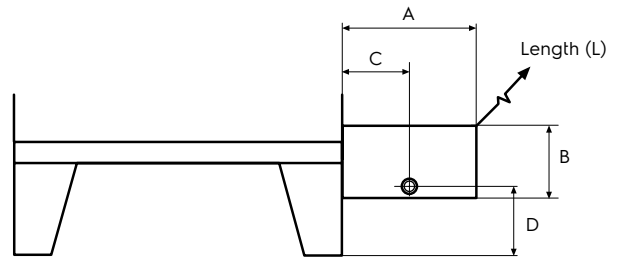

988918010: WH6-6
 988918021: WH6-7, WH6-8, WN6-8, WS6-8
 988918022: WH6-11, WN6-11, WS6-11, W4130H, WH6-14, WN6-14, WS6-14
 988703041: W4180H, WH6-20, WN6-20, WS6-20, W4250H, WH6-27, WN6-28, WS6-28, W4300H, WH6-33, WN6-35, WS6-35

Material: Stainless steel.
 Feature: Filter for easy cleaning.
 Drain connection: \varnothing 32 mm (25 l)
 \varnothing 50 mm (45 l, 75 l)

988918016: WH6-6
 Material: Stainless steel.
 Feature: Filter for easy cleaning.
 The collector can be connected to the base frame of WH6-6 on any side or rear of the machine. Including cover and hoses.

	A	B	L
25 l	280	165	615
45 l	345	220	680
75 l	480	215	820
100 l	485	220	930

WH6-6
 C = 155 mm
 D = 95 mm (E=200)
 D = 165 mm (E=290)



Collector shown on right side

6245A

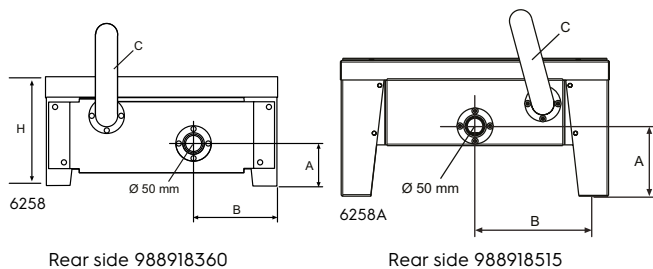
BASE; with removable fluff compartment



988918360: WH6-6
 988918515: WH6-7, WH6-8
 Material: Stainless steel.
 Feature: Lintbox integrated.
 Easy to clean under the base.
 Depth: WH6-6: 650 mm
 WH6-7: 700 mm
 WH6-8: 700 mm

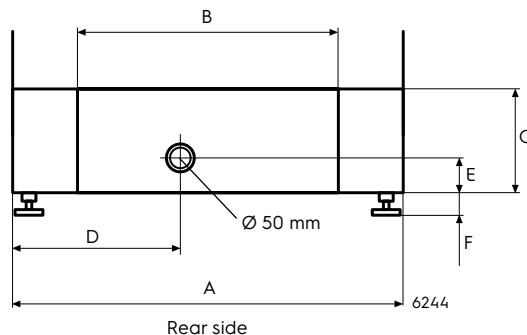
	WH6-6	WH6-7	WH6-8
A	110	180.5	180.5
B	220	340	340
H	290	350	350

C = Drain from machine



988918574: WH6-7, WH6-8
 988918674: WH6-11
 Material: Galvanized, silver grey painted steel with stainless steel lint compartment.
 Content: 33 litres
 Drain connection: \varnothing 50 mm
 Depth: 910 mm

	A	B	C	D	E	F
WH6-7, WH6-8	700	470	185	300	60	20-50
WH6-11	810	600	185	355	60	20-50



TANKS; for re-use of water or solvent - Only for Clarus Control

988803825 (50Hz): W4130H
 988803818 (50Hz): W4180H, W4240H
 988803826 (60Hz): W4130H
 988803819 (60Hz): W4180H, W4240H

A = Drain valve box only:

988803823 (50Hz): W4130H, W4180H, W4240H
 988803824 (60Hz): W4130H, W4180H, W4240H



Material: Stainless steel
 Feature: For re-use of water/solvent. Including pump, filter, valves, hose and wire harness for connection to the machine.
 Content: 140 or 200 litres

BASE; with integrated tank - Only for Clarus Control



- 988918717 (50Hz): W4130H
- 988918817 (50Hz): W4180H
- 988918957 (50Hz): W4240H
- 988919017 (50Hz): W4300H
- 988918718 (60Hz): W4130H
- 988918818 (60Hz): W4180H
- 988918958 (60Hz): W4240H
- 988919018 (60Hz): W4300H

- Material: Galvanised steel with a stainless steel tank and front panel.
- Feature: For re-use of water/solvent.
Including pump, filter, valves, hose and wire harness for connection to the machine.
- Content: 120 litres: W4130H
145 litres: W4180H
160 litres: W4240H, W4300H

A	B	C	D	E	F	G	H	I
900	570	300	300	380	500	170	430	75
960	600	300	330	380	530	170	460	75
1010	630	300	350	380	560	170	490	75
1010	630	300	350	380	560	170	490	75

- K Drain \varnothing 75 from machine to drain
- L Drain \varnothing 75 from overflowed tank to drain
- M Cold water connection, DN20
- N Connection for cleaning tank

